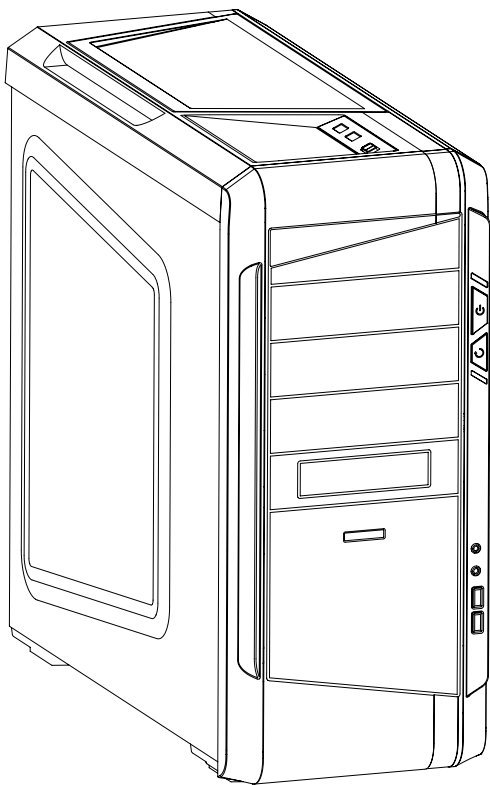


User Manual

ATX MID TOWER Z12 SERIES

English / 한글 / français / Español



- 설치 전 취급 설명서를 반드시 읽어 보시기 바랍니다.

- To ensure safe and easy installation, Please read the following precautions.

1 Cautionary Note

- 1) Please read this manual thoroughly prior to installation.
- 2) Before installing, check the components and condition of the product, and if any problem is found, contact the retailer.
- 3) Avoid inserting objects or hands into the system while it is in operation to prevent product damage and injuries.
- 4) Check the manual when connecting cables. Incorrect connections may cause short circuits leading to fire hazards.
- 5) Do not block the front intake vent or the rear exhaust vent.
- 6) Keep this unit away from heat sources, direct sunlight, water, oil, and humid environments, and place the unit on a flat, stable, vibration-free, and well-ventilated area.
- 7) Do not clean the product surface with chemicals or wet cloth. (chemicals: industrial brightener, wax, benzene, alcohol, paint thinner, mosquito repellent, aromatics, lubricant, detergent etc.)
- 8) Please wear gloves while handling this product to prevent injuries.
- 9) Product design and specifications may be revised to improve quality and performance.

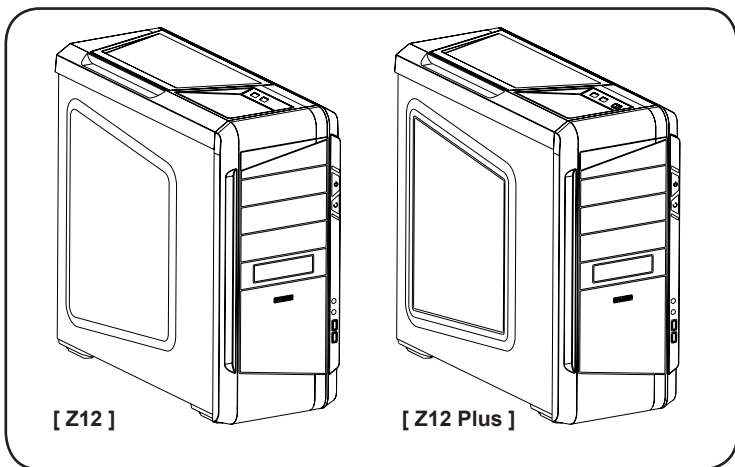
Disclaimer) Zalman Tech Co., Ltd. is not responsible for any damages due to external causes, including but not limited to, improper use, problems with electrical power, accident, neglect, alteration, repair, improper installation, or improper testing.

2 Product Details

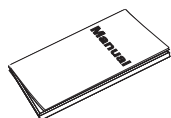
(1) Specifications

Model Name		Z12	Z12 Plus
Type		ATX Mid Tower	
Dimensions (W x H x D)		215(W) x 470(H) x 480(D) mm 8.4(W) x 18.5(H) x 18.8(D) inch	
Materials		Plastic(ABS) / Steel	
Color		Black	
Motherboard Compatibility		Standard ATX / Micro ATX	
Power Supply Compatibility		Standard ATX / ATX 12V	
PCI/AGP Compatibility		Full Size (290mm/11.4 inch)	
Drive Bays	5.25"	External Bay x 4	
	3.5"	Internal Bay x 5	
	2.5"	Internal Bay x 1	
	Common (3in1)	Internal Bay 5.25"/3.5"/2.5" x 1 (3in-1)	
Cooling Components	Front	1 x 120mm Fan (1 Blue LED Fan Included)	
	Rear	1 x 120mm Fan (1 Fan Included)	
	Top	2 x 120mm Fan (2 Optional)	2 x 120mm Blue LED Fan (1 LED Fan Included , 1 Optional)
	Bottom	1 x 120mm Fan (1 Optional)	
Fan Controller		-	2 channel
Front I/O Port Panel		Headphones x 1, Mic x 1, USB 2.0 x 2, USB 3.0 x 2	
Expansion Card Slots		7	

(2)Parts



ENG



User manual



Stand-Off × 5



Bolt A
(#6-32*6mm) × 11
[PSU, PCI]



Bolt B
(M3*5mm) × 17
[M/B, FDD, SSD]



Bolt C
(M3*6mm) × 12
[5.25" Bay ODD]



Bolt D
(#6-32*4mm) × 20
[3.5" Bay HDD]



Bolt E
(#6-32*6mm) × 5
[3.5" HDD]



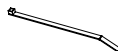
HDD
Anti-vibration rubber × 20
[3.5" Bay HDD]



PCI Slot × 2



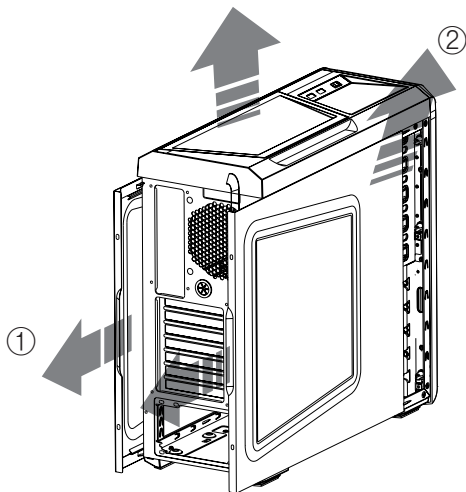
CPU 12V Extension Cable × 1



Cable Tie × 5

3 Installation

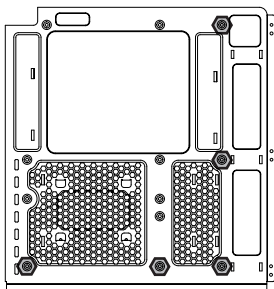
(1) Side Panel Removal



(2) Motherboard Installation

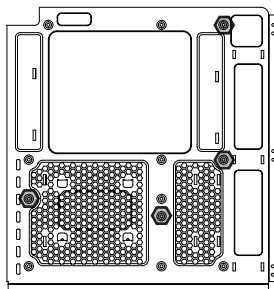
There are 4 Stand Offs preinstalled. Please refer to the diagrams below for additional Stand Off positions (based on motherboard type).

ATX Board



m-ATX Board

or



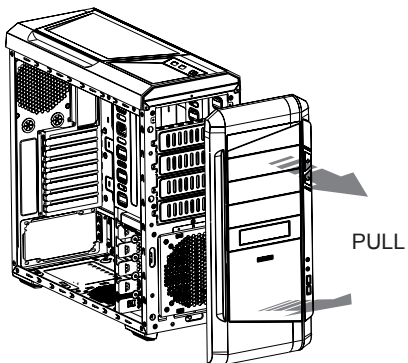
Stand-Off



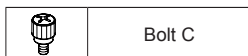
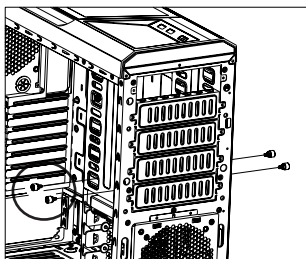
B Bolt

(3) 5.25" and 3.5" Drive Installation

1) Front Cover Removal

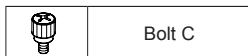
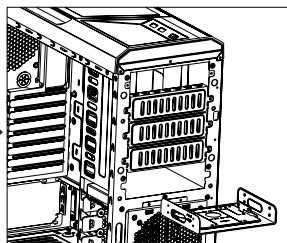
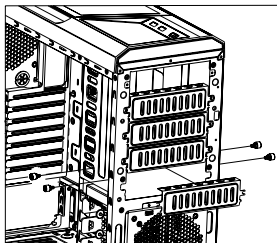


2) ODD Installation



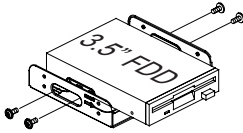
3) 2.5" / 3.5" Tray Installation

① Tray removal



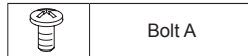
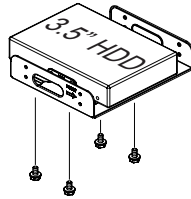
② Attach Drive to Tray

A. 3.5" FDD Installation



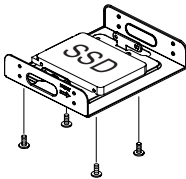
Bolt B

B. 3.5" HDD Installation



Bolt A

C. 2.5" SSD Installation

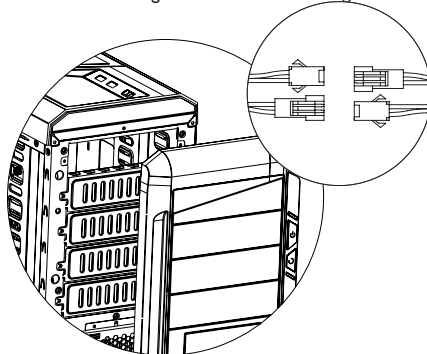


Bolt B

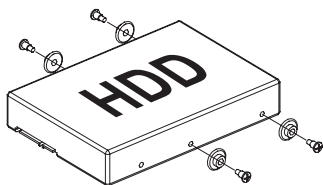
(4) Front Cover Installation





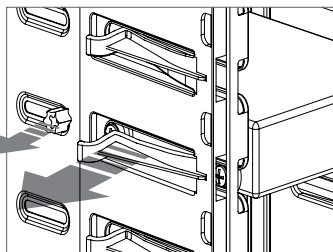
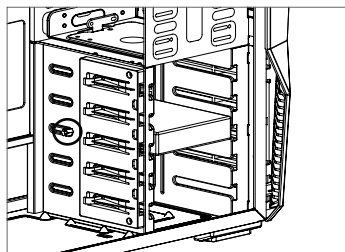
When removing the front cover, the power switch and extension cable are separated to prevent disconnection. Be sure to connect the cables with matching colors before installing the front cover.



(5) 3.5" HDD Installation



	Bolt D
	HDD Anti-vibration rubber

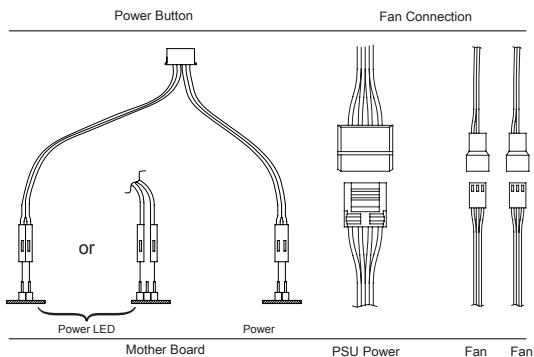


When transporting an assembled system, please secure the HDD with Bolt E as shown above.

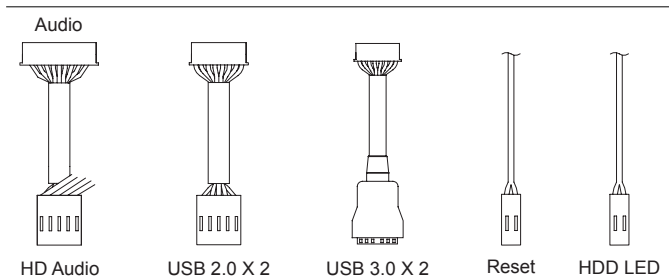
When removing HDD, pull the fastening lever outwards and then remove it.

	Bolt E
---	--------

(6) Cable Connection



Front Panel I/O Port

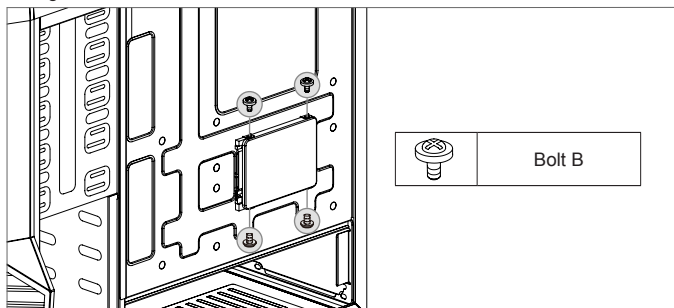


MotherBoard

※ Please refer to your motherboard manual for information regarding power and I/O port pinouts.

(7) 2.5" HDD / SSD Optional

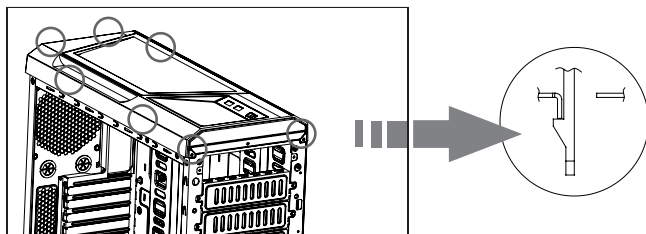
2.5" HDD and SSDs can be installed on the right side of case as shown in the diagram below.



(8) Optional Fan Installation and Replacement

Top Panel Fan (120/140 mm) Installation

When installing fan, press the Top Panel's eight Hook's towards each other to remove and install as shown in diagram below. The Z12 comes with one 120mm Fan pre-installed.





Zalman Tech Co., Ltd.

#1007 Daeryung Techno Town III, 448 Gasan-dong, Gumchun-gu, Seoul, 153-803, Korea
Tel: +82-2-2107-3232 / Fax: +82-2-2107-3322 / www.zalman.com / e-mail: zalman@zalman.com

Zalman USA, Inc.

13825 Norton Ave Building #12 Chino, CA 91710