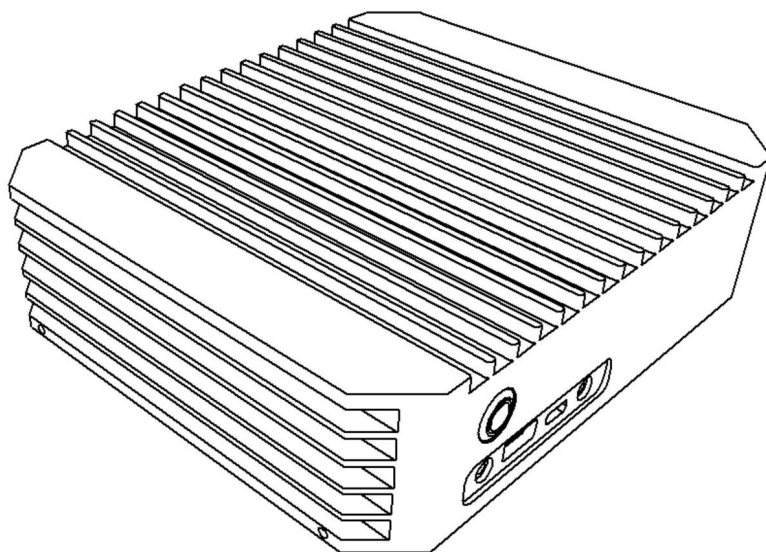


# Tranquil PC

a **crsi** company

## Mini Multi Display PC

### QuickStart Guide



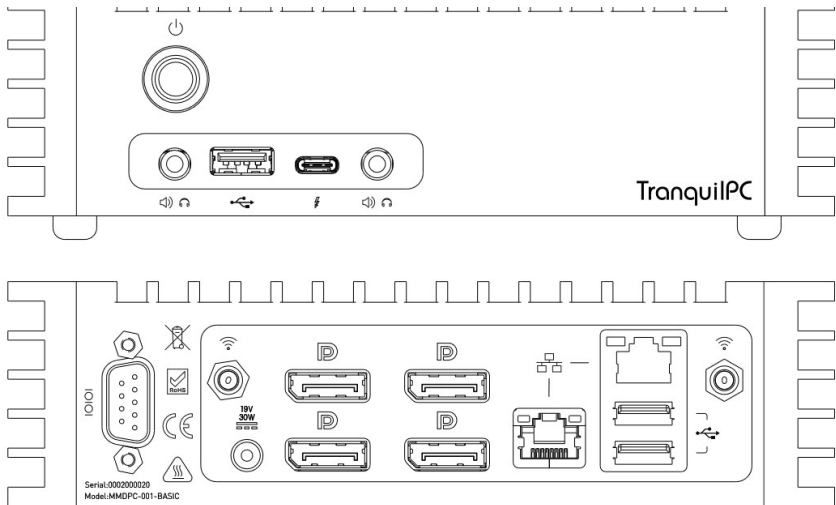
## Contents

<b>1.0 Packing contents .....</b>	<b>Page 3</b>
<b>2.0 Connectivity .....</b>	<b>Page 3</b>
<b>3.0 Setup .....</b>	<b>Page 4-5</b>
3.1 Hardware setup.....	Page 4
3.2 Power up.....	Page 4
3.3 Installing Operating system—USB.....	Page 4
3.4 Installing Operating system—Booting from LAN .....	Page 5
3.5 Installing drivers .....	Page 5
<b>4.0 Mounting guide.....</b>	<b>Pages 6-10</b>
4.1 Mounting—Desk.....	Page 8
4.2 Mounting—VESA.....	Page 9
4.3 Mounting—Wall.....	Page 10
<b>5.0 Support/Warranty.....</b>	<b>Page 11</b>
<b>6.0 Safety and Caution information.....</b>	<b>Page 11</b>

## 1.0 Packing contents

- 1x Mini Multi Display PC
- 1x Power Cord
- 1x 60w 12V power supply
- 4x Screw on feet
- 1x Wall/VESA bracket kit (incl screws)
- 2x Wifi Antenna
- 1x Manual / Driver DVD

## 2.0 Connectivity



**Front:** Line-Out, USB2.0, USB3.1 Type C, Mic-In, power/reset switch

**Rear:** RS232 port, DC-In 12~19V, 4x Display Port, 2x RJ45 for LAN, 2x USB2.0, Dual Wifi/Bluetooth Antenna

## 3.0 Setup

### 3.1 Hardware setup

If you are mounting the product using the Wall/Vesa bracket carry out these steps first, (see pages 9-10)

1. Connect the screen(s) to the display ports on the rear of the product
2. Connect a USB keyboard and mouse to either the front or rear USB ports
3. If using wired LAN connect this to one of the RJ45 ports on the rear
4. If using Wifi, connect both Wifi antenna supplied with this product

### 3.2 Power up

1. Attach the power supply to your wall socket and to the rear of the product

The product is set to auto power on so once power is applied it should turn on, if not, press the power button located on the front of the product.

### 3.3 Installing Operating system—USB

1. Connect the USB device to the spare USB port
2. Reset or power on the product
3. If needed press **F7** when booting to enter boot order manager
4. When asked, select 'to boot' from your bootable device
5. From here follow the operating systems providers instructions

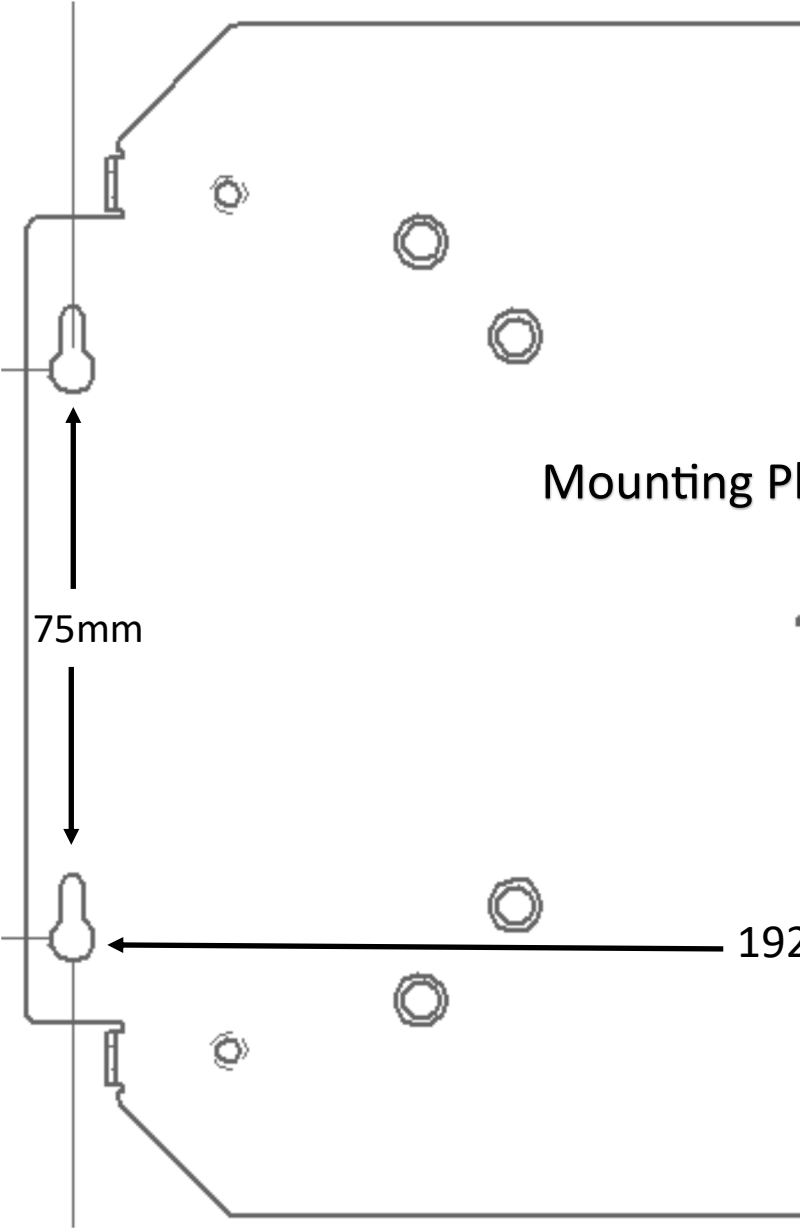
### 3.4 Installing Operating system—Booting from LAN

1. When the product is booting press **F2** to enter BIOS
2. Go to **“Advanced”** in the top menu
3. Go to **“CSM Configuration”** and press **“Enter”**
4. Select **“Network”** and change to **“Legacy”**
5. Press F10 to **“Save and Exit”** BIOS
6. Press F2 to go back into BIOS
7. Go to **“Boot”** in the top menu
8. Select **“Boot Option #1”** and change to **“Realtek PXE B03 D00”**
9. Press F10 to **“Save and Exit”** BIOS

### 3.5 Installing drivers

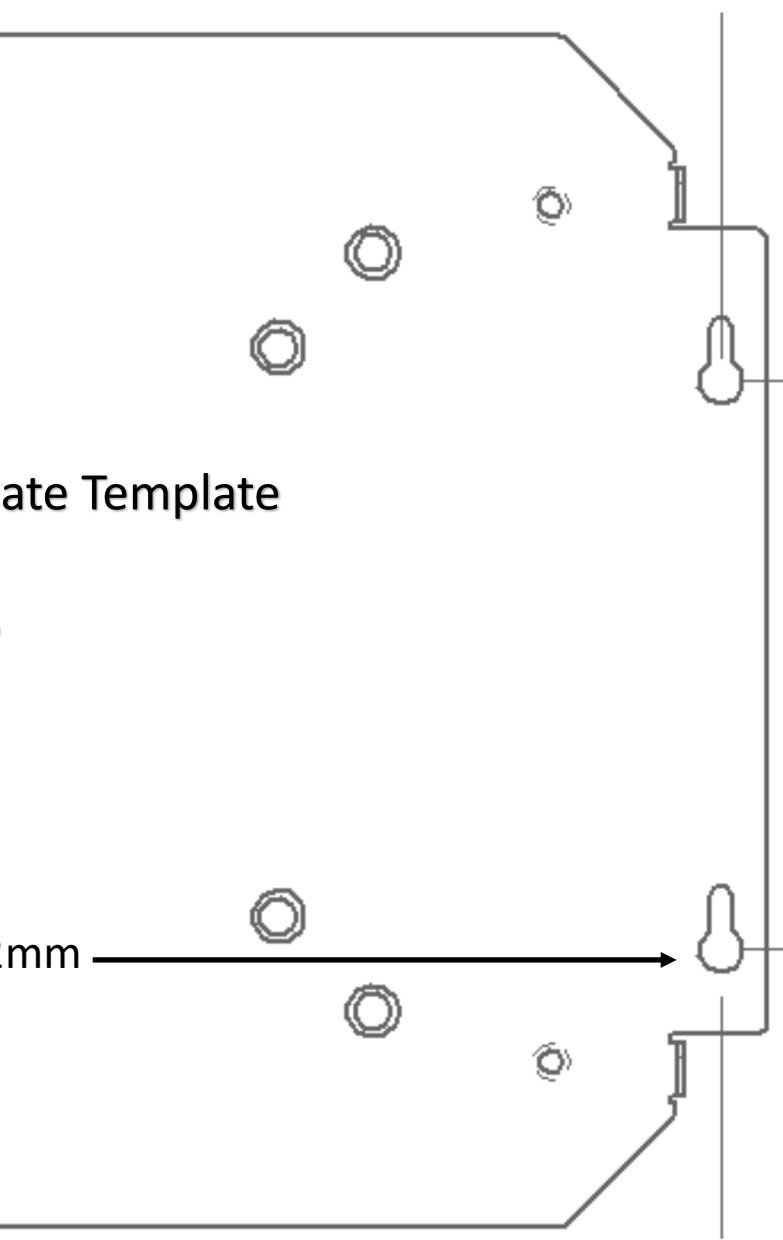
Most drivers should be found and installed by your operating system. If they are not, please check our website for the latest Windows 10 or Linux drivers or use the DVD supplied.

4.0 Mounting



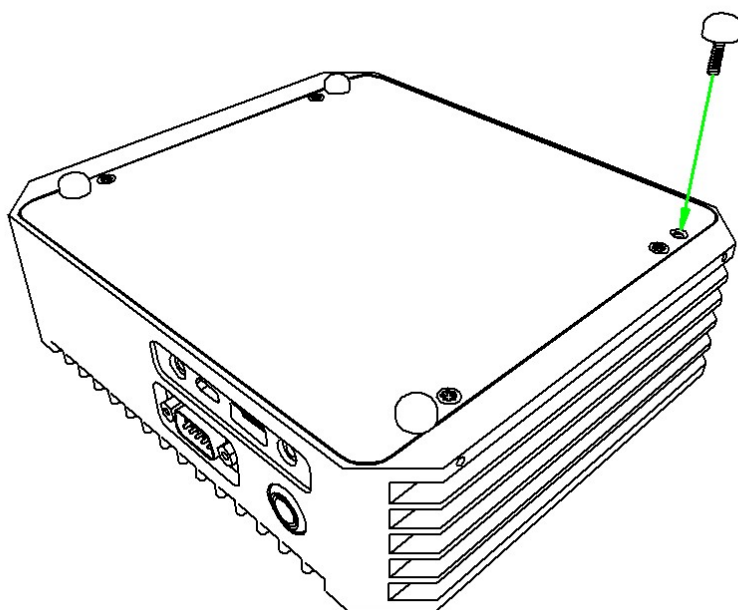
ate Template

mm



## 4.1 Mounting—Desk

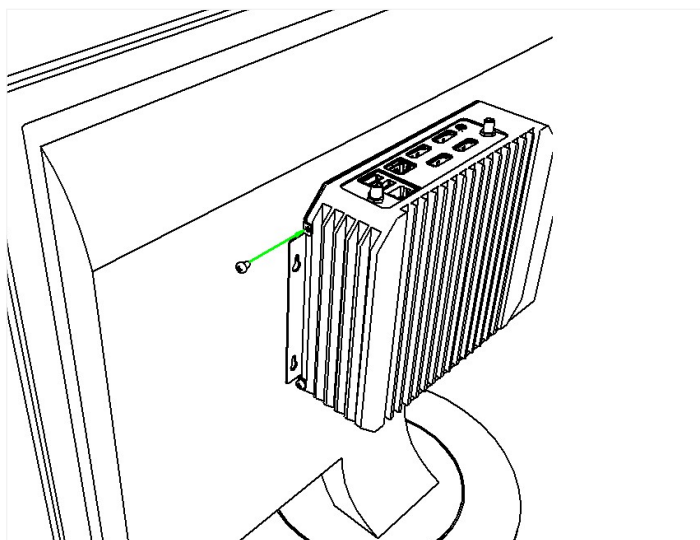
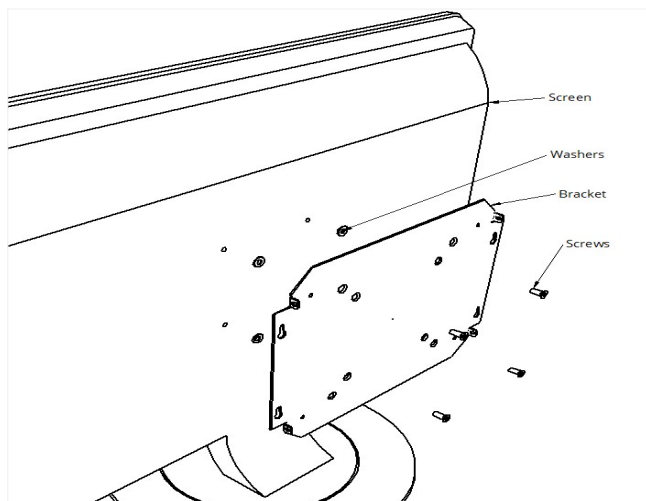
Insert and tightly screw in the 4 supplied screw on feet into the 4 holes on the bottom of the product:





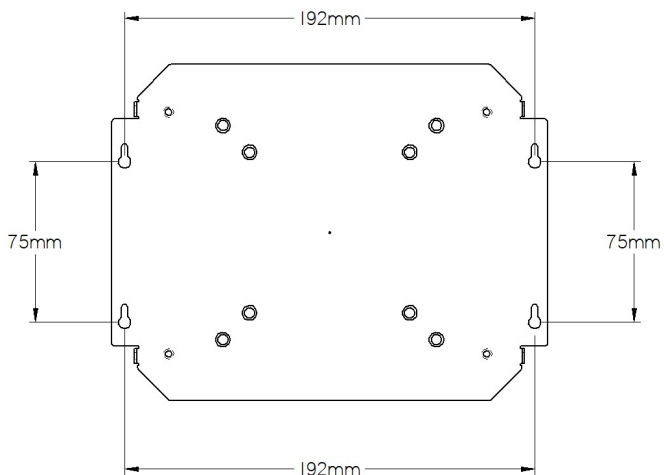
## 4.2 Mounting—VESA (100x100mm or 75x75mm)

1. Using the screen screws and washers supplied in the VESA mount screw kit, attach the VESA bracket to the back of the screen as shown below:

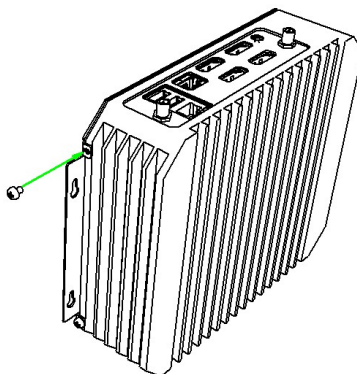


### 4.3 Mounting—Wall

1. Use suitable plugs and screws for the surface you are mounting the product on. Use the template on pages 6-7 to drill 4 holes at the below distances:



2. Next attach the bracket to the wall
3. Then screw the product to the bracket using the small case screws provided



## 5.0 Support/Warranty

The warranty with this product is 3 years return to base. In order to receive support please email [support@tranquilpcs.com](mailto:support@tranquilpcs.com)

## 6.0 Safety and Caution information

**AC Power Adapter:** Risk of electric shock, fire, or burn if using an AC adapter other than the one provided with this product. Indoor only and in dry locations. Device must only be repaired by a professional. Do not open enclosure. The adapter is rated for use between 0°C to 40°C (32°F and 104°F). Connect only to a properly wired and grounded outlet. 12v, 5A, 60W.

Risk of explosion if the battery is replaced with an incorrect type. Batteries should be recycled where possible. Disposal of used batteries must be in accordance with local environmental regulations.

**Temperature:** This product is intended for use in ambient temperatures between 0°C to 40°C (32°F and 104°F). Avoid storing next to heat sources, in direct sunlight, or outside the intended temperature range.

**Medical:** This device may interfere with the operation of some pacemakers, hearing aids or other medical devices. To reduce the risk, maintain a separation distance of 20 cm (8 inches) between this product and the medical device. Refer to the medical device for additional information.

**Modify:** Modification of the wireless solution, thermal solution, device components or enclosure shall violate regulatory compliance requirements and may induce safety hazards.

Tranquil PC LTD  
2 Queensmead Place  
Trafford Park  
Manchester  
M17 1PH  
UK

[support@tranquilpcs.com](mailto:support@tranquilpcs.com)

