

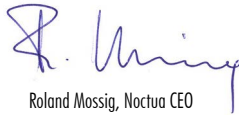


Dear customer,

Congratulations on choosing a Noctua cooler for your AMD AM4 system. We always like to think of our coolers as safe long-term investments: Not only are they built to last, we also provide upgrade kits so that you can keep using your trusty Noctua heatsink when you do a system upgrade.

Enjoy your Noctua cooler on AM4!

Yours sincerely,


Roland Mossig, Noctua CEO

This SecuFirm2™ Mounting-Kit for AM4 is compatible with the NH-U14S, NH-U12S and NH-U9S. For detailed, up to date compatibility information please visit: www.noctua.at/am4

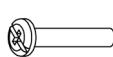
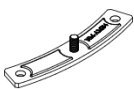
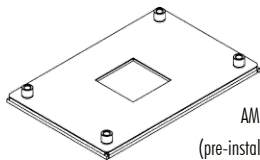
This manual will guide you through the installation process step by step using an NH-U12S heatsink as an example. The installation procedure is identical for all compatible models.

Prior to installing the cooler, please consult the compatibility list on our website www.noctua.at/compatibility and verify that the cooler is fully compatible with your motherboard. Please also make sure that your PC case offers sufficient clearance for the cooler and that there are no compatibility issues with any other components (e.g. tall RAM modules). Double check that the heatsink and fan clips do not make contact with the VGA card or other PCIe cards. Noctua cannot be held responsible for any damage or losses caused by compatibility issues.

Should you encounter any difficulties, please check the FAQs on our website and don't hesitate to contact our support team at support@noctua.at. Noctua cannot be held responsible for any damage or losses caused by compatibility issues.

Multilingual versions of this manual are available on our website: www.noctua.at/manuals

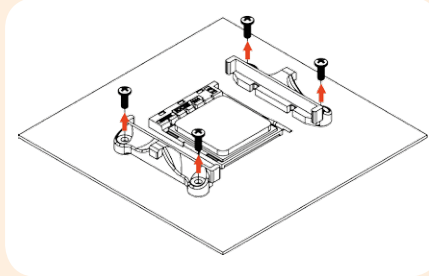
Required mounting parts:



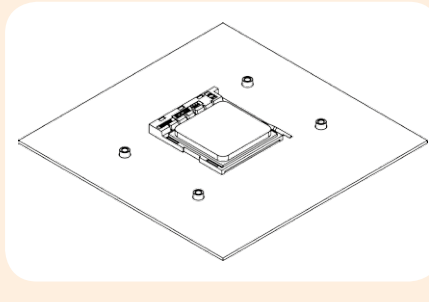
Step 1

Removing the stock retention module

First remove the motherboard's stock CPU cooler retention module by unscrewing it from the backplate. The SecuFirm2™ mounting system will install directly to the stock backplate, so please keep it in place.



If your motherboard does not include a stock backplate, please contact our customer support at support@noctua.at.

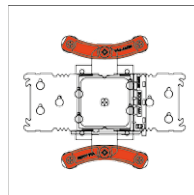


Step 2

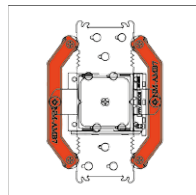
Attaching the mounting bars

Choose either the short NM-AMB6 or the long NM-AMB7 mounting bars according to the desired final orientation of the cooler.

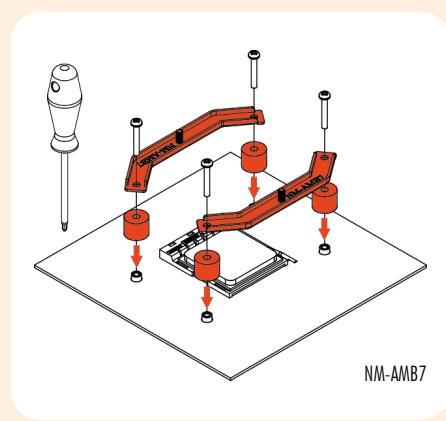
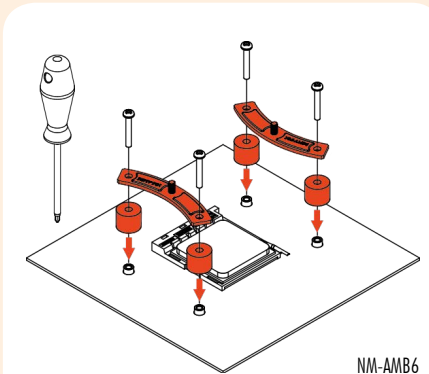
Orientation NM-AMB6



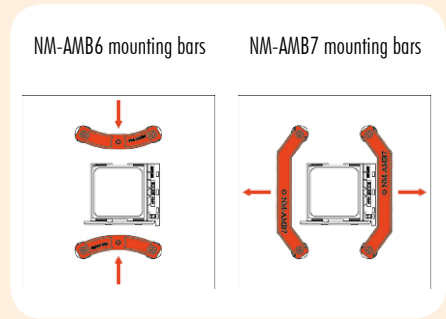
Orientation NM-AMB7



First put the plastic spacers onto the screw threads of the backplate, then fix the mounting bars using the four long screws.



For the short NM-AMB6 mounting bars, make sure that the curved sides are pointing inwards. For the long NM-AMB7 mounting bars, make sure that the curved sides are pointing outwards.

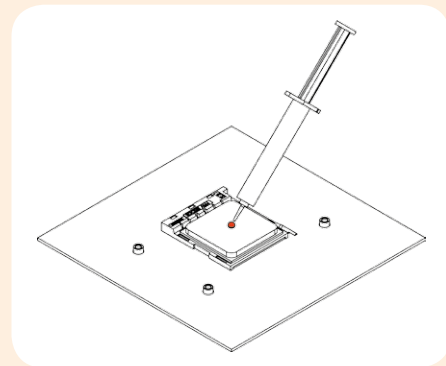


Caution: Gently tighten the screws until they stop, but don't use excessive force (max. torque 0.6 Nm).

Step 3

Applying thermal paste

If there are residual traces of thermal paste or thermal pads on your CPU on the base of the heatsink, please clean them off first. Then press a small drop (4-5mm diameter) of thermal compound (e.g. Noctua NT-H1) onto the centre of the heatspreader.



Caution: Applying too much thermal paste will lower heat conductivity and cooling performance!

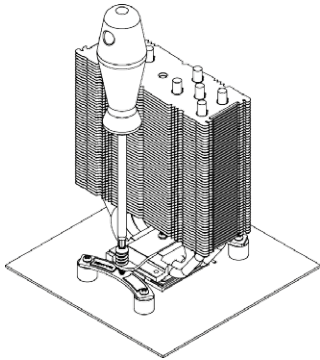
Step 4

Fastening the heatsink to the CPU

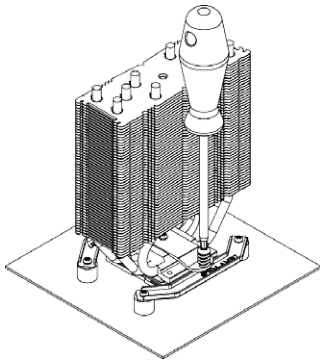
Caution: If you're using the cooler for the first time, please take off the protection cover at the bottom side of the heatsink first!



Put the heatsink onto the CPU and screw it to the screw threads of the mounting bars. Please note that with some cooler models, it may be necessary to remove the fan(s) in order to reach the screws.



NM-AMB6



NM-AMB7

Caution: Tighten the screws until they stop.

Step 5

Installing the fan

Install the fan as described in the cooler manual. If you don't have it at hand, you can download it at www.noctua.at/manuals.

Should I take the cooler off before transporting my system?

As it is not possible to reliably calculate or control the forces that act upon a system during transport (e.g. in shipping), we generally recommend, for safety reasons, taking off coolers with a total weight of more than 700g (incl. fan). If the weight of the heatsink without fan is below 700g and the total weight including fan is above 700g, we recommend taking off the fan from the heatsink in order to reduce the weight below 700g. Noctua cannot be held responsible for any damage that may arise due to excessive stress during transport if you keep the heatsink installed.

Warranty, Support and FAQs

Even with high-grade products and strict quality control, the possibility of defects cannot be eliminated entirely. Therefore, we aim at providing the highest possible level of reliability and convenience by offering a warranty period of 6 years and direct, fast and straightforward RMA service.

Should you encounter any problems with your Noctua product, please check the FAQs on our website (www.noctua.at/faqs) and don't hesitate to contact our support team at support@noctua.at.