



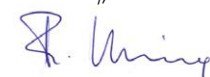
Dear customer,

Thank you very much for choosing the Noctua NH-U14S DX-4189.

Our DX line of coolers has become a default choice in high performance quiet cooling solutions for Intel Xeon processors, and I'm confident that you will be able to sense some of the research, attention and care we've put into making this product.

Enjoy your NH-U14S DX-4189!

Yours sincerely,



Roland Mossig, Noctua CEO

This manual will guide you through the installation process of the SecuFirm2™ mounting system step by step.

Prior to installing the cooler, please consult the compatibility centre on our website (ncc.noctua.at) and verify that the cooler is fully compatible with your motherboard.

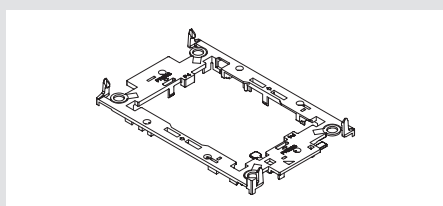
Please also make sure that your PC case offers sufficient clearance for the cooler and that there are no compatibility issues with any other components (e.g. tall RAM modules).

Double check that the heatsink and fan clips do not make contact with the VGA card, other PCIe cards, motherboard heatsinks or any other components.

Noctua cannot be held responsible for any damage or losses caused by compatibility issues.

Should you encounter any difficulties, please check the FAQs on our website (www.noctua.at/faqs) and don't hesitate to contact our support team at support@noctua.at.

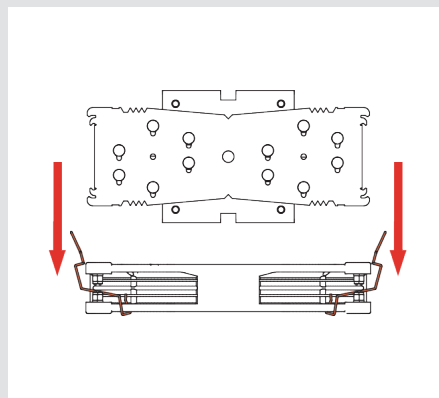
Required mounting parts:



1x NM-XRF6
plastic CPU carrier frame for
LGA4189-4 (P4)

1 Removing the fan

Take the fan off the cooler.



2 Assembly of carrier frame, CPU and heatsink & installation to the socket

Caution: The supplied plastic CPU carrier frame is for LGA4189-4 (P4) only. LGA4189-5 (P5) systems use the same mounting mechanism system but require a different CPU carrier frame. Please contact us at support@noctua.at if you would like to use the cooler on a LGA4189-5 (P5) type system.

Please follow the official Intel installation manual for how to attach the CPU carrier frame to the heatsink, insert the CPU to the carrier frame and install the CPU/heatsink assembly to the socket: www.intel.com/processorinstall



Note that while the Intel illustrations show a 2U heatsink, the Noctua NM-XFB8 brackets use the same mounting parts, so the procedure is identical for Noctua heatsinks.

When attaching the CPU carrier frame to the base of the heatsink, turn the heatsink upside down so that the base is facing upwards.

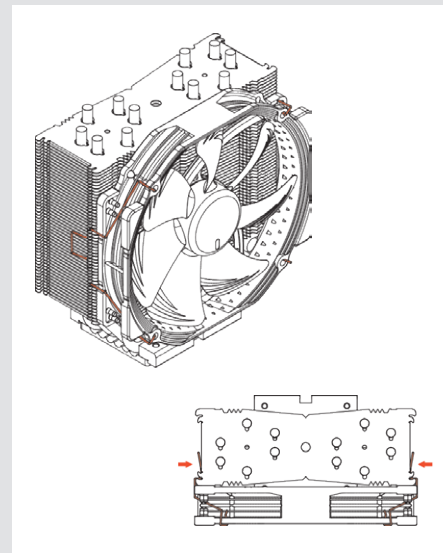
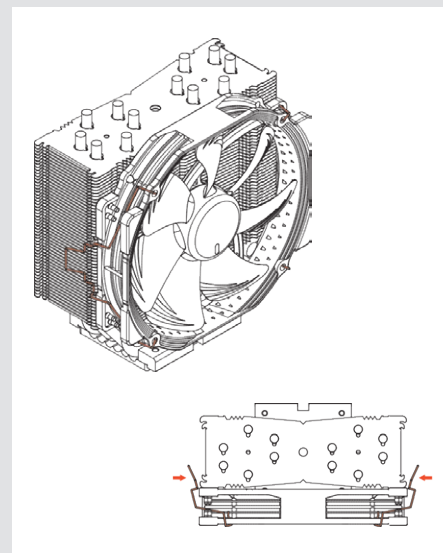
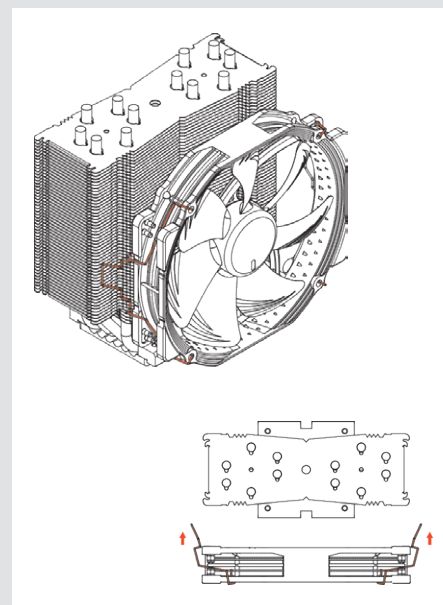
Carefully put it down onto the tips of the heatpipes and secure it with your hand so that it cannot tilt and that the fins cannot get bent.

Remove the plastic protection cover from the base of the heatsink and be careful not to damage the layer of pre-applied thermal compound.

Caution: If you are not using the heatsink for the first time and it therefore doesn't have a fresh layer of pre-applied thermal compound anymore, you need to apply a thin layer of thermal compound to the CPU yourself before clipping it to the heatsink. If there are residual traces of previous thermal paste or thermal pads on your CPU or on the heatsink, please clean them off first.

3 Installing the fan

Reattach the fan to the heatsink using the supplied steel clips:



Connect the fan to the motherboard's CPU fan header.



Adding a second fan

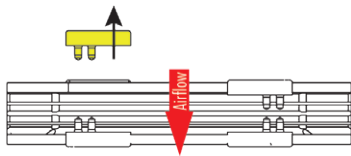
The NH-U14S DX-4189 includes an extra set of fan clips and an extra set of thicker anti-vibration pads for installing a second NF-A15 fan in push/pull mode in order to further improve cooling performance.

Please use the thicker anti-vibration pads on the rear NF-A15 fan for improved acoustics if space allows.

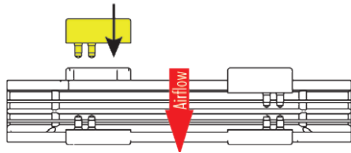
The y-cable supplied with the retail NF-A15 fan can be used to control the speed of both fans via the same motherboard fan header.

Please note that while the NF-A15 fan included with the NH-U14S DX-4189 runs at 1500rpm, Noctua recommends using the standard 1200rpm retail version as a rear fan in push/pull mode as the combination of 1500rpm at the front and 1200rpm at the rear will provide the best balance of performance and acoustics.

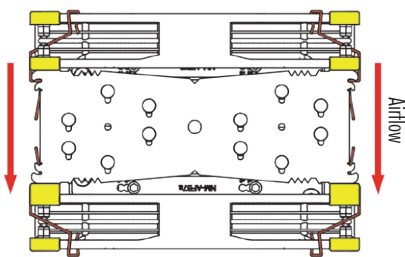
1. Remove standard pads on rear fan



2. Install thick pads on rear fan

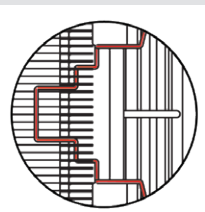


Front fan (standard pads)

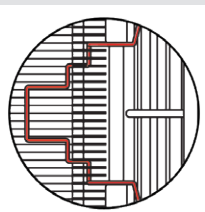


Rear fan (thick pads)

Clip position for thick pads:



Clip position for standard pads:



! Removing the heatsink from the socket and the CPU from the heatsink

Please follow the official Intel guidelines for how to remove the heatsink and how to take off the CPU and carrier frame: www.intel.com/processorinstall



! Transporting your system

As it is not possible to reliably calculate or control the forces that act upon a system during transport (e.g. in shipping), we generally recommend, for safety reasons, taking the cooler off.

Noctua cannot be held responsible for any damage that may arise due to excessive stress during transport if you keep the heatsink installed.

! Warranty, support and FAQs

Even with high-grade products and strict quality control, the possibility of defects cannot be eliminated entirely. Therefore, we aim at providing the highest possible level of reliability and convenience by offering a warranty period of 6 years and direct, fast and straightforward RMA service.

Should you encounter any problems with your NH-U14S DX-4189, please don't hesitate to contact our support team at support@noctua.at.

Please also consult the FAQ section on our website: www.noctua.at/faqs