



Dear customer,

Congratulations on choosing the Noctua NH-D14 SE2011 for your LGA2011 system. Having received more than 250 awards and recommendations from the international press, our NH-D14 has become a benchmark in premium quality quiet cooling. Tens of thousands of enthusiast users all over the world swear by its quality and I'm confident that you will be satisfied as well. Enjoy your Noctua NH-D14 SE2011!

Yours sincerely,

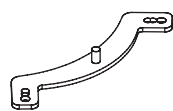

Roland Mossig, Noctua CEO

This manual will guide you through the installation process of the SecuFirm2™ mounting system step by step. Prior to installing the cooler, please consult the compatibility list on our website and verify that the cooler is fully compatible with your motherboard.

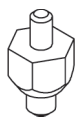
Should you encounter any difficulties, please check the FAQs on our website and don't hesitate to contact our support team at support@noctua.at. Noctua cannot be held responsible for any damage or losses caused by compatibility issues.

Multilingual versions of this manual are available on our website: www.noctua.at/manuals

Required mounting parts:



2x NM-IMB2 Mounting-Bars



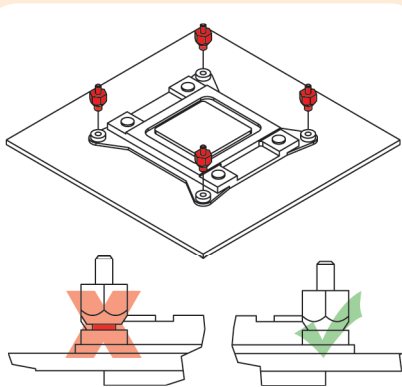
4x NM-IBT2 Bolts



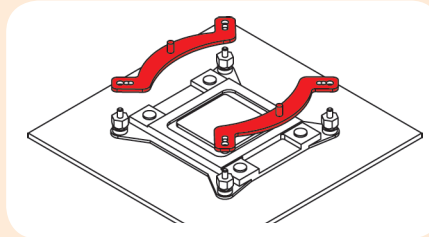
4x NM-ITS1 Thumbscrews

Step 1: Installing the mounting-bars

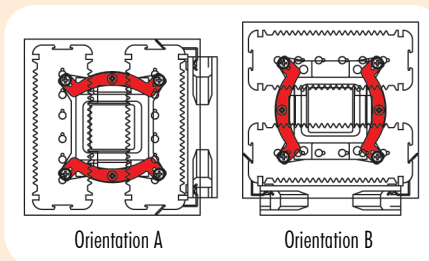
First screw the NM-IBT2 bolts into the screw threads of the LGA2011 socket frame.



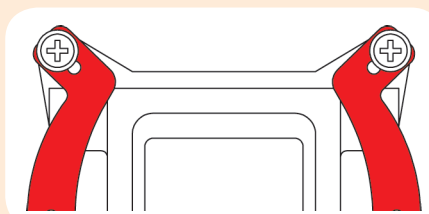
Then put the NM-IMB2 mounting-bars onto the bolts.



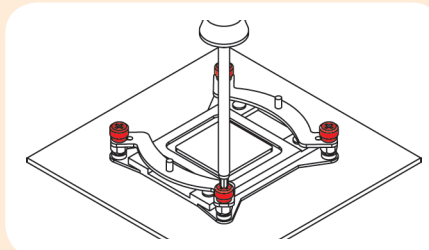
Caution: Choose the alignment of the mounting bars according to the desired final orientation of the cooler:



Caution: Make sure that the curved sides of the mounting bars are pointing outwards.



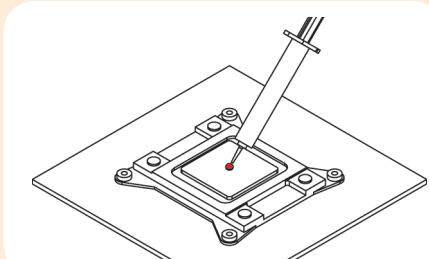
Fix the mounting bars using the NM-ITS1 thumbscrews.



Caution: Gently tighten the screws until they stop, but don't use excessive force.

Step 2: Applying thermal paste

If there are residual traces of thermal paste or thermal pads on your CPU, please clean them off first. Then press a small drop (4-5mm diameter) NT-H1 onto the centre of the heatspreader.

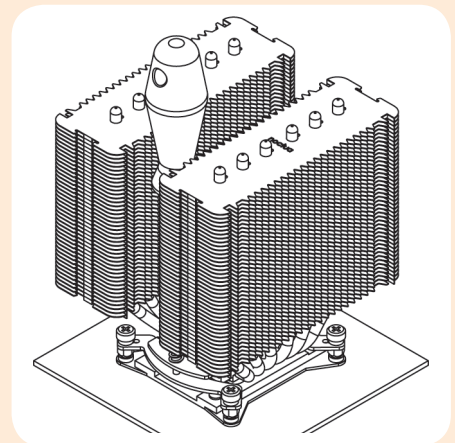


Caution: Applying too much thermal paste will lower the heat conductivity and cooling performance!

Step 3: Fastening the heatsink to the CPU

Caution: If you're using the cooler for the first time, please take off the protection cover at the bottom side of the heatsink first!

Put the heatsink onto the CPU and screw it to the screw threads of the mounting bars.



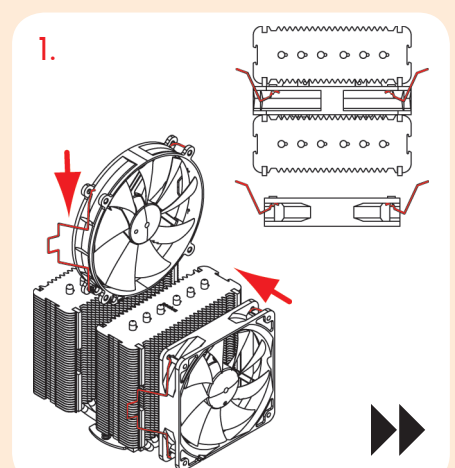
Caution: Tighten the screws until they stop.

Caution: Due to the mass restrictions of the LGA2011 specifications, we recommend taking off the heatsink when moving or transporting your PC. Noctua cannot be held responsible for any damage that may arise due to excessive stress on the socket during transportation if you keep the heatsink installed.

Step 4: Installing the fan

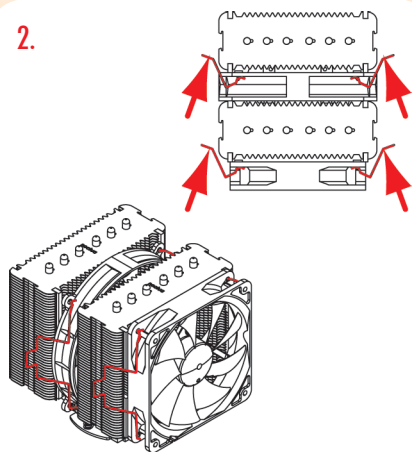
Attach the fans to the heatsink using the steel clips. The NF-P12 120mm fan can be moved upwards or left off in order to improve compatibility.

If you don't run the NF-P12 on the CPU cooler, you can use the supplied fan screws or silicone Vibration-Compensators to install it inside your case.

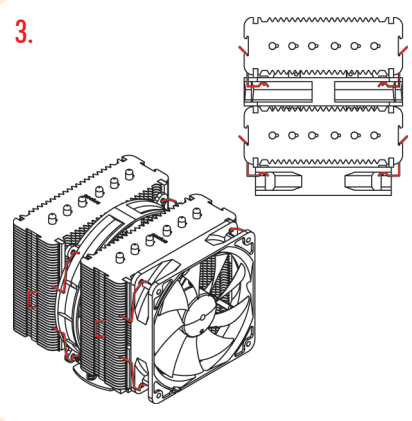




2.



3.



Connect the fan(s) to the mainboard. Use the supplied y-split cable to connect both fans to one fan header. Depending on your CPU and the temperature inside the case, you may interconnect the supplied NA-RC7 and NA-RC8 Low-Noise Adapters (L.N.A.) in order to further reduce the fans operating noise. Use the NA-RC7 for the NF-P12 120mm fan and the NA-RC8 for the NF-P14 140mm fan.

Caution: Never use one adaptor for both fans by putting it before the y-split cable.

Caution: When using the L.N.A., check the temperature of your CPU using appropriate software (e.g. the respective applications of your mainboard manufacturer), in order to evade automatic throttling of the CPU due to the increased temperature. If the cooling performance is insufficient, please increase case ventilation or remove the L.N.A.

Warranty, Support and FAQs

Even with high-grade products and strict quality control, the possibility of defects cannot be eliminated entirely. Therefore, we aim at providing the highest possible level of reliability and convenience by offering a warranty period of 6 years and direct, fast and straightforward RMA service.

Should you encounter any problems with your NH-D14, please don't hesitate to contact our support team (support@noctua.at). Please also consult the FAQ section on our website: www.noctua.at/faqs.