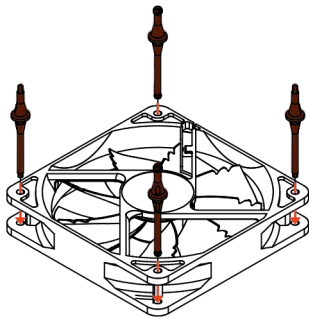


F = fan side



C = case side

1 First pull the F side through the fan's mounting holes.



2 Then pull the C side through the mounting holes of the case.

