



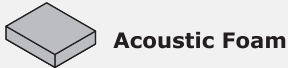
# AcoustiPack™

Ultimate Noise Reduction

## Antec Sonata II

### AP AntecSon II Pack Contents and Fitting Directions

**Pack Contents:**  
The AcoustiPack™ pre-cut kit for the Antec Sonata II contains 18 parts, some of which are optional.



Acoustic Foam



Acoustic Composite

#### Fitting Directions:

Fit according to the positions indicated, in the numerical order shown from 1 to 18. Where self adhesive is on the reverse of the materials, remove the backing sheet and adhere lightly to clean and dust-free surfaces, making sure that the material is correctly positioned. If you make a mistake - it can be re-applied for a second attempt - but be aware that excessive re-application will cause a deterioration in the adhesive. Once well positioned, press the materials **firmly** into place.



**Ensure you read the important safety information on Page 2 before installing the materials.**

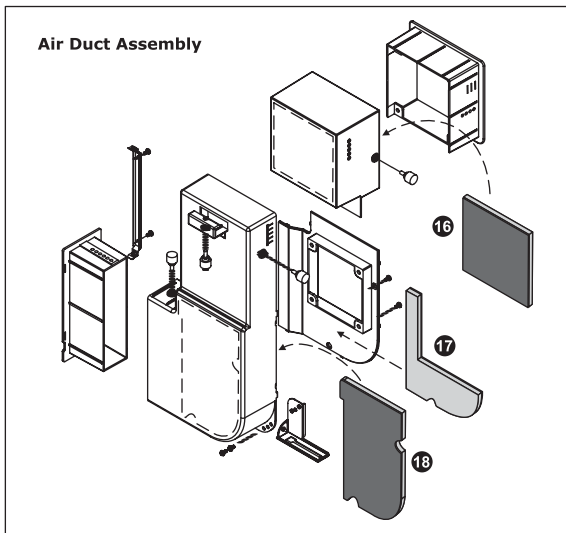
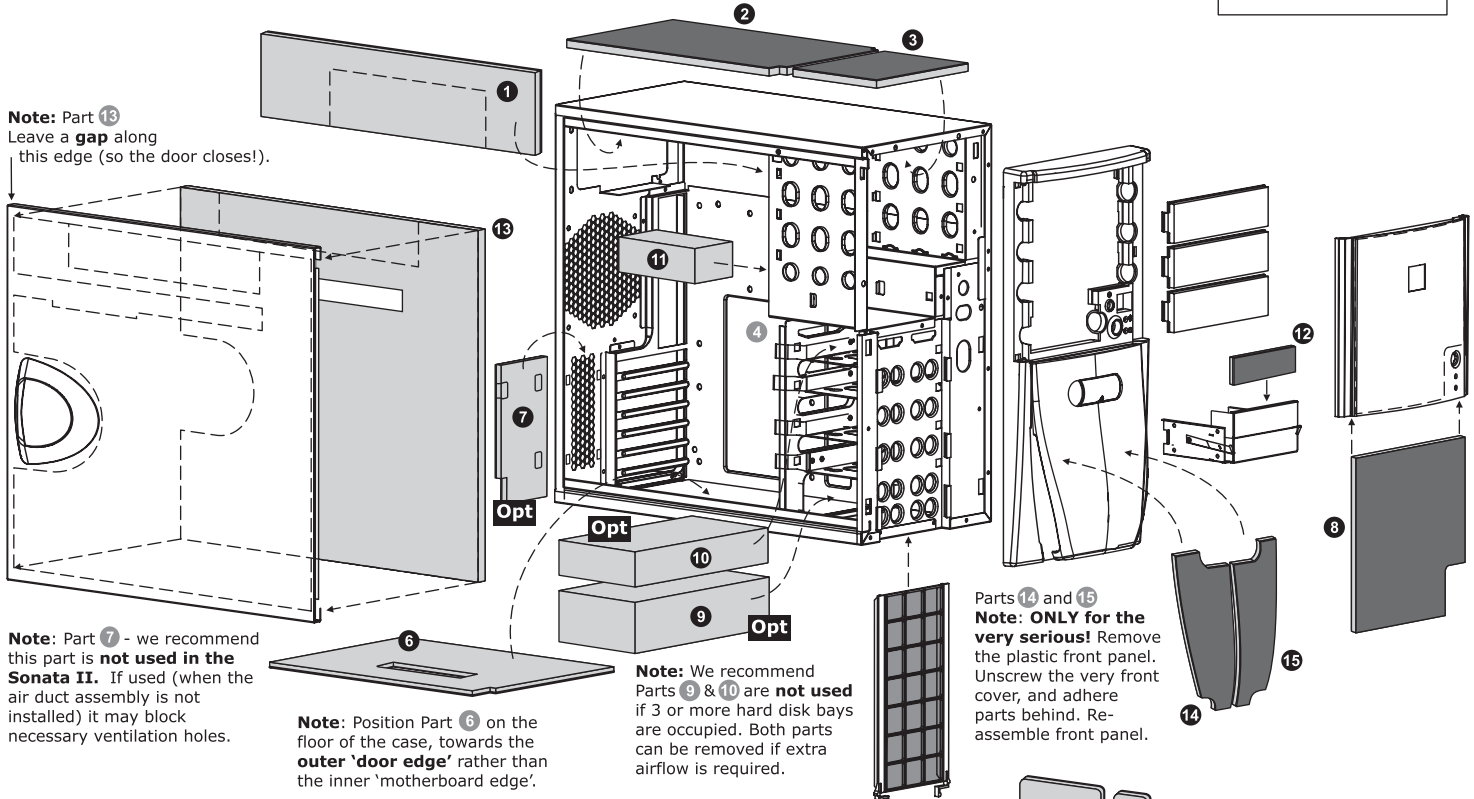
Fit Part 1 first (this is the most difficult part to fit).

Remove the Black Air Duct and the Power Supply Unit (PSU) from the case, and turn the case up-side down. Note that this part slides in to position above the motherboard tray and is adhered to the fixed side of the case.

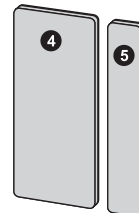
Keeping the case upside down, fit the roof parts: 2 & 3

**Opt** = Optional

**Note:** Rear 120mm case cooling fan, PSU and the air duct are not shown in the graphic below.



The air filter slides into the case from underneath. **We recommend cleaning the air filter regularly to maintain adequate airflow!**



Parts 4 and 5 attach to the side panel behind the motherboard. (**Note:** can only be fitted before the motherboard is in place.)

#### Optional Accessory: Ultra-Soft Fan Mounts



AFM03

Acousti Products have an ultra-soft anti-vibration fan mount (Model: AFM03) that is compatible with the Sonata II case. These mounts are fitted to the **fan first**, then to the fan holder. The mounts can be used with an 80 or 92mm fan, in the air duct assembly to reduce noise from fan vibrations.



# AcoustiPack™

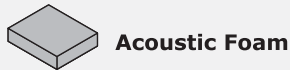
Ultimate Noise Reduction

Antec Sonata I

## AP AntecSon I Pack Contents and Fitting Directions

### Pack Contents:

The AcoustiPack™ pre-cut kit for the Antec Sonata I contains 13 parts, some of which are optional.



Acoustic Foam



Acoustic Composite

### Fitting Directions:

Fit according to the positions indicated, in the numerical order shown from 1 to 13. Where self adhesive is on the reverse of the materials, remove the backing sheet and adhere lightly to clean and dust-free surfaces, making sure that the material is correctly positioned. If you make a mistake - it can be re-applied for a second attempt - but be aware that excessive re-application will cause a deterioration in the adhesive. Once well positioned, press the materials **firmly** into place.



Ensure you read the important safety information below before installing the materials.

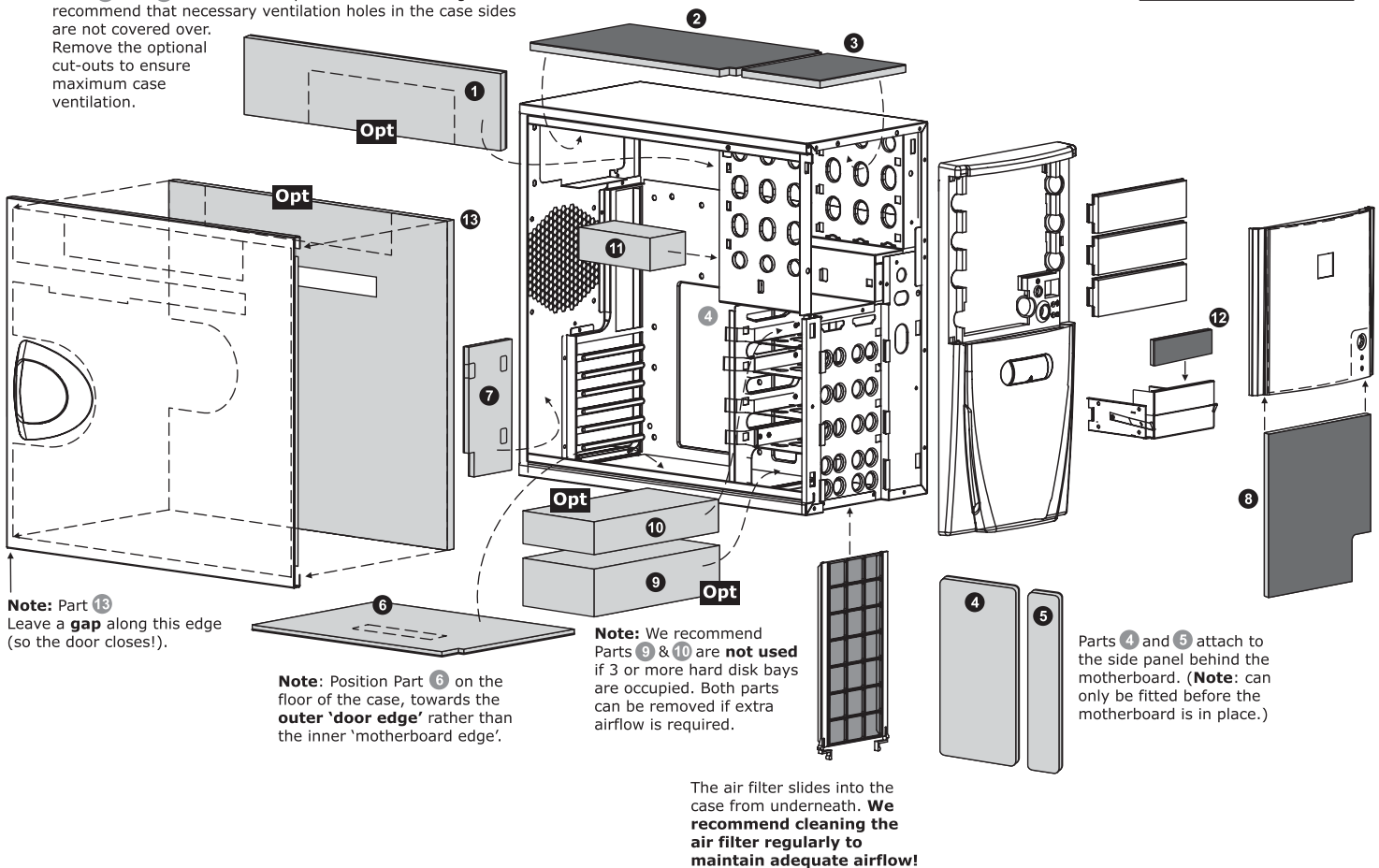
Fit Part 1 first (this is the most difficult part to fit). Remove the Power Supply Unit (PSU) from the case, and turn the case up-side down. Note that this part slides in to position above the motherboard tray and is adhered to the fixed side of the case.

Parts 1 and 13 both have an optional cut-out rectangle. We recommend that necessary ventilation holes in the case sides are not covered over. Remove the optional cut-outs to ensure maximum case ventilation.

Keeping the case upside down, fit the roof parts: 2 & 3

Opt = Optional

Note: Rear 120mm case cooling fan and PSU are not shown in the graphic below.



### READ THIS BEFORE INSTALLING THE MATERIALS!

- ONLY position the materials as directed in the fitting directions and as depicted. Once fitted, we recommend the system is tested, and temperatures of internal components checked and monitored.
- DO NOT cover any necessary ventilation holes with materials.
- DO NOT position the rear of the case close to a permanent heat source, such as a radiator, or very close to an airflow obstruction, such as a wall. Leave an adequate gap at the front and the rear of the case to allow free movement of cool air in and out of the case.
- DO NOT position materials inside the case in such a way that may inhibit the correct functioning of any internal components, especially cooling fans, disc drives and moving parts. These components require adequate space and ventilation. Whilst every care has been taken to produce a set of materials that will be appropriate for the majority of component configurations, it is the responsibility of the machine builder to position materials appropriately to facilitate normal functioning of internal components.