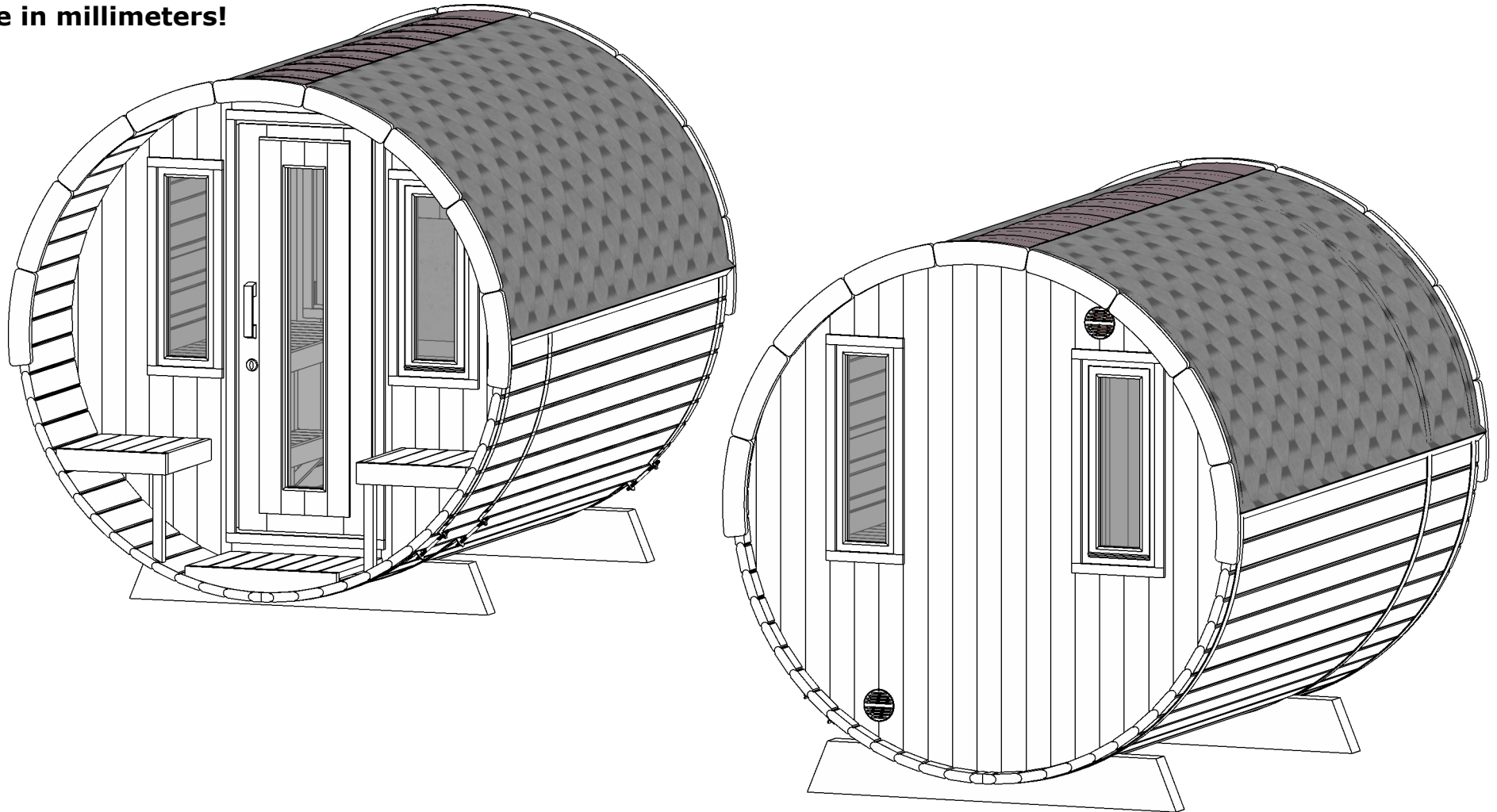


# Sauna 280, Ø226

**NB! Please read whole manual  
before start.**

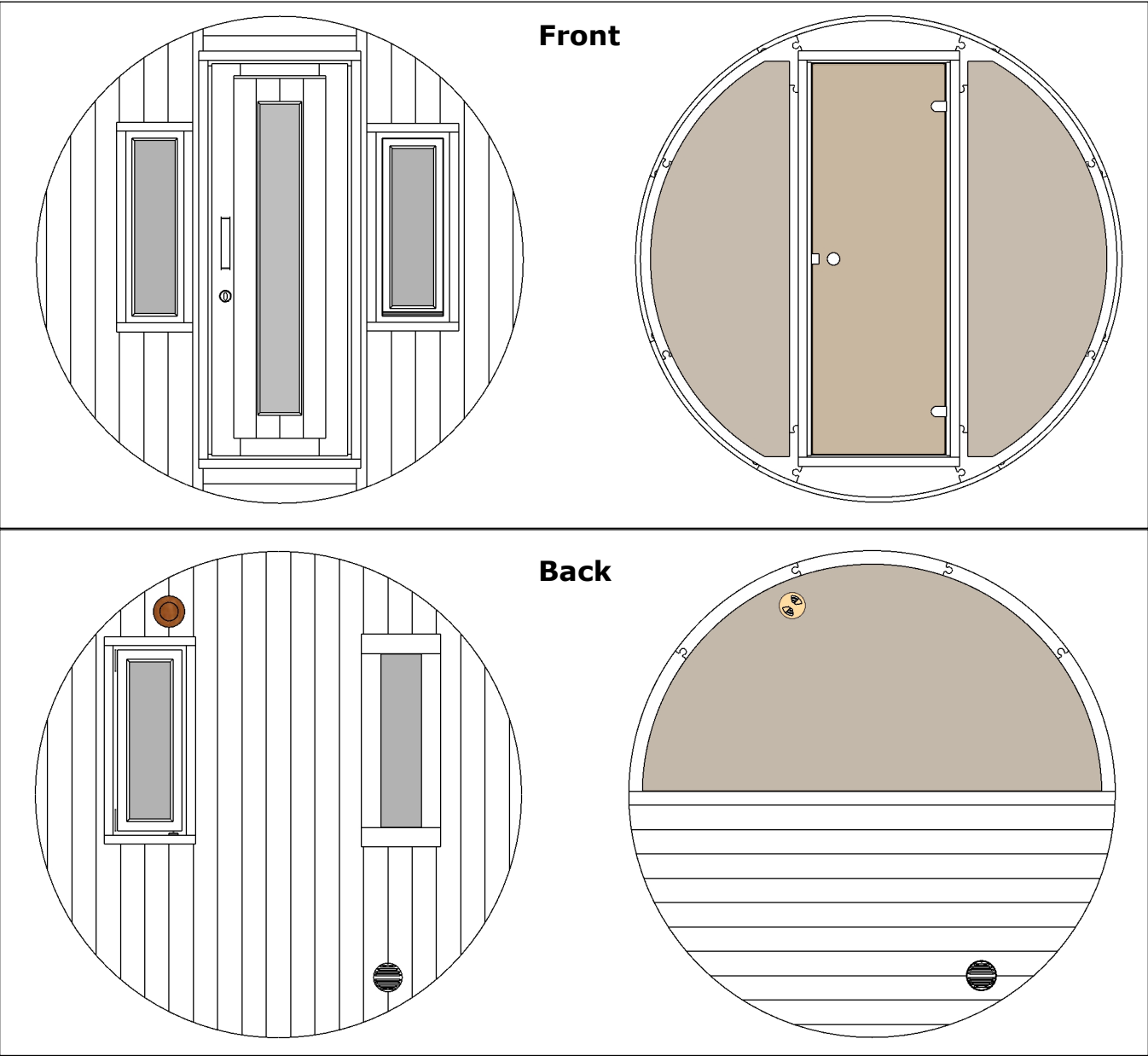
**All given measurements  
are in millimeters!**



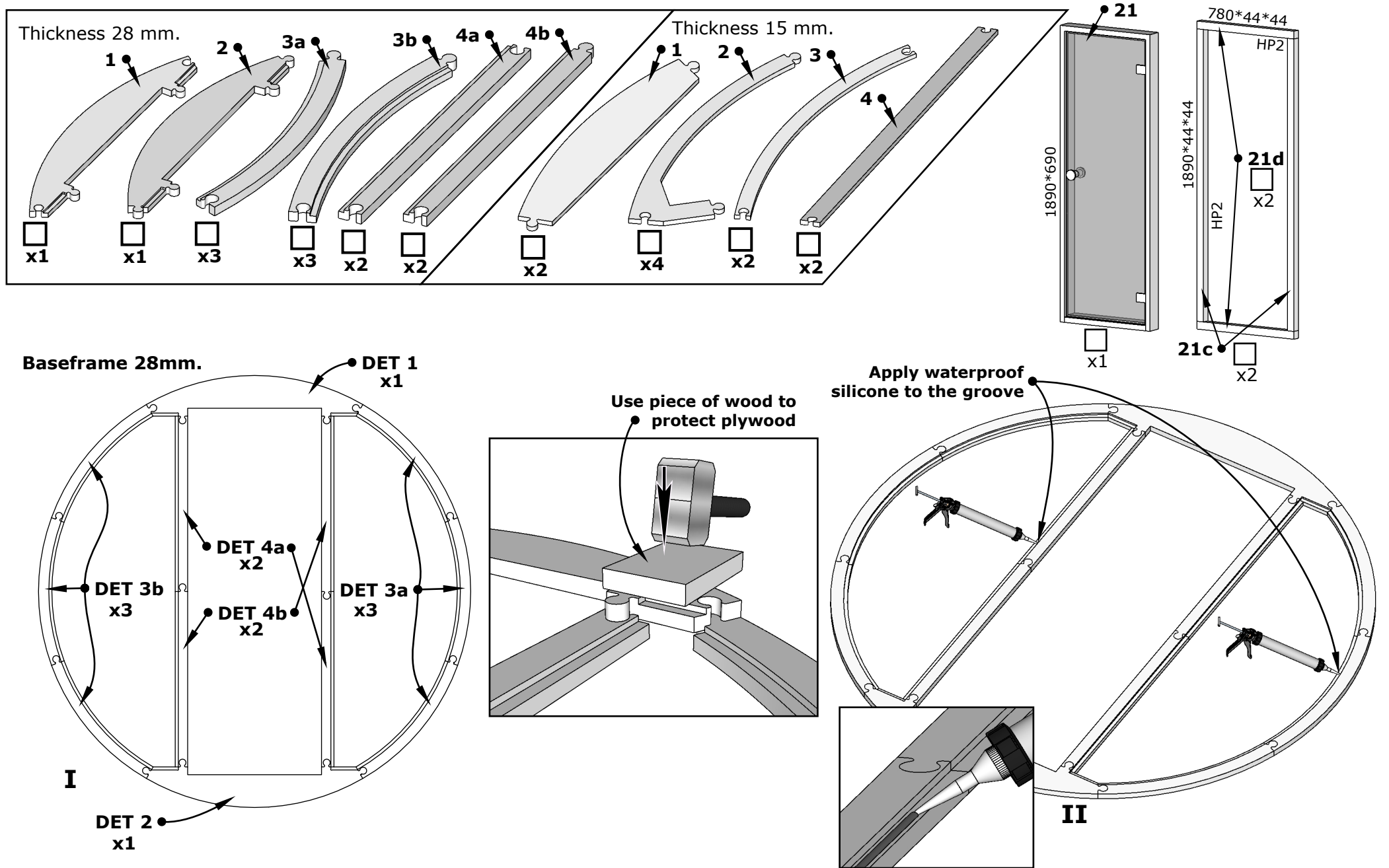
(I26-TKE-PK-018)

# Wall configuration.

Windows are optional!

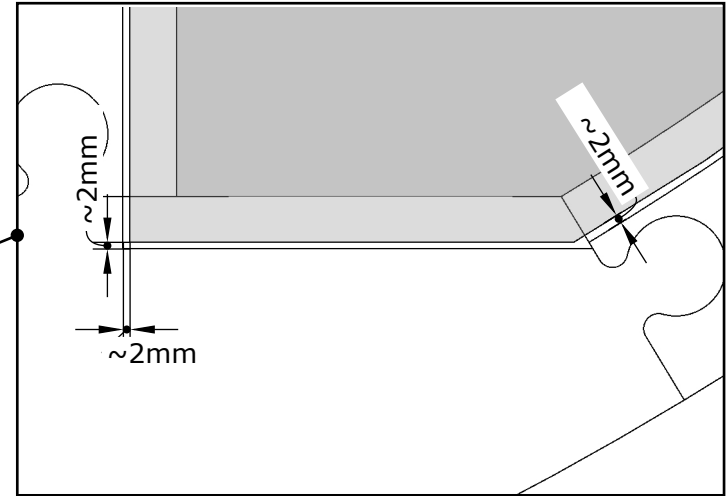
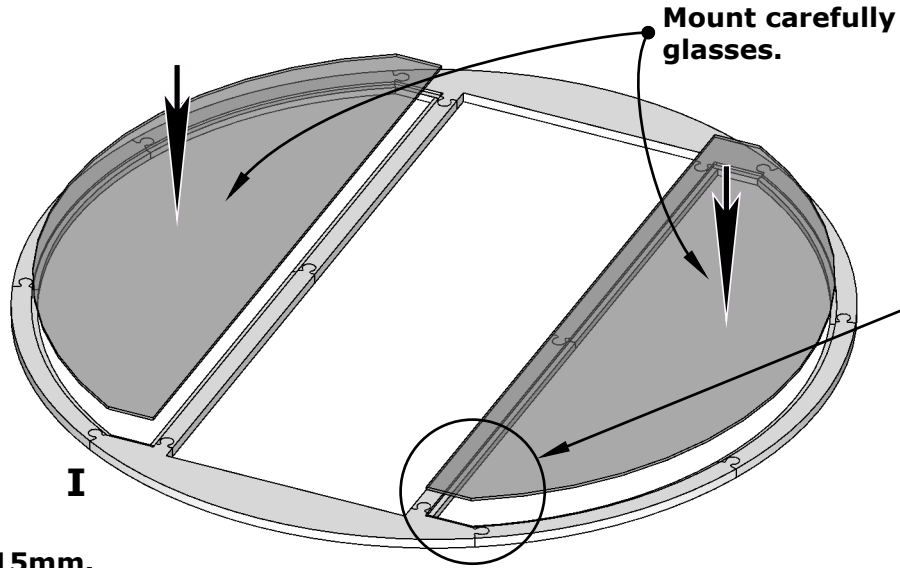


# Glass Wall mounting Ø226

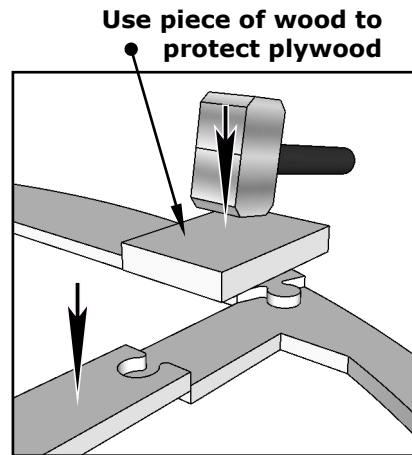
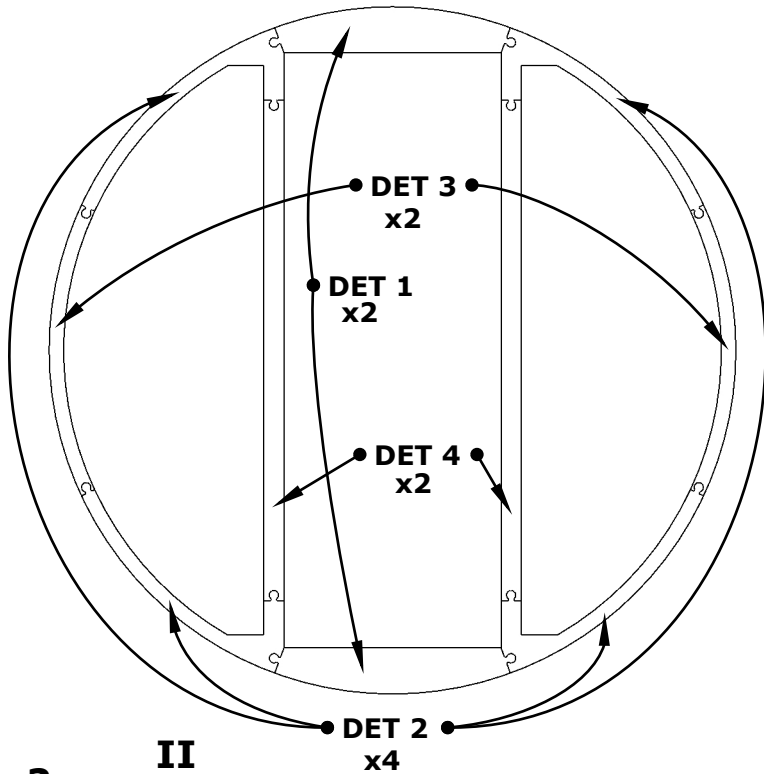


1.

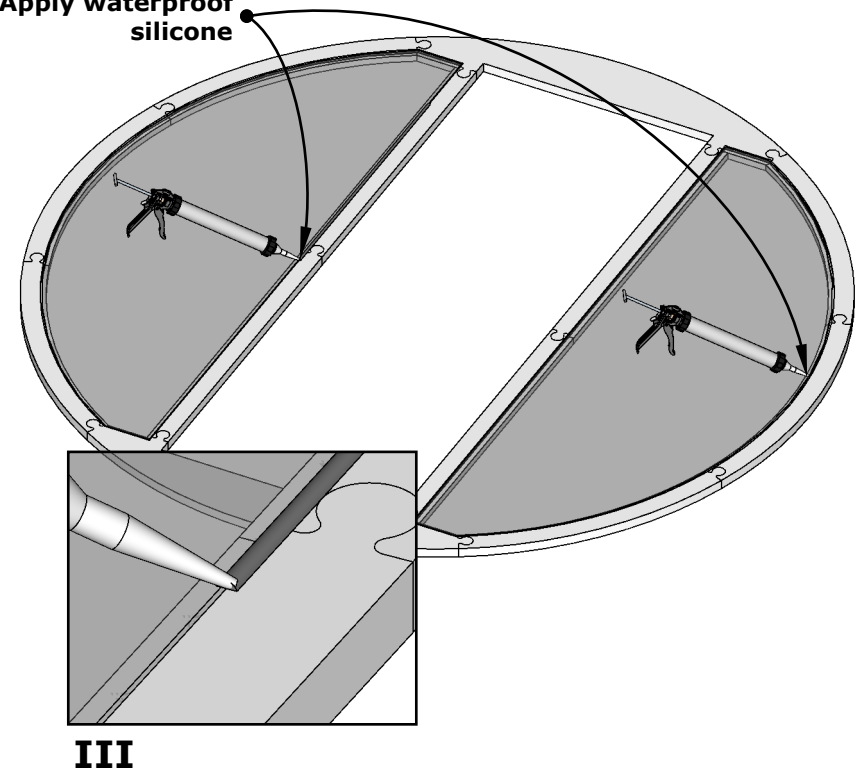
# Glass Wall mounting Ø226



Coverframe 15mm.

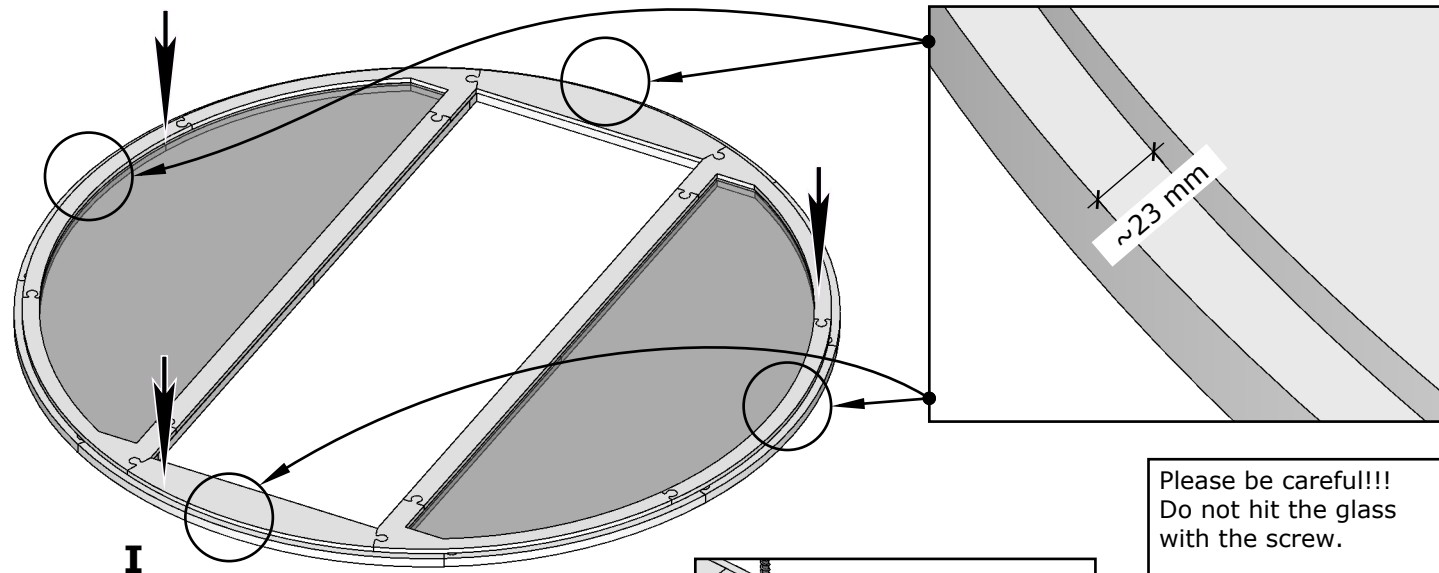


Apply waterproof silicone

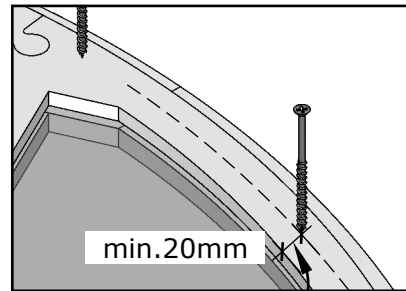
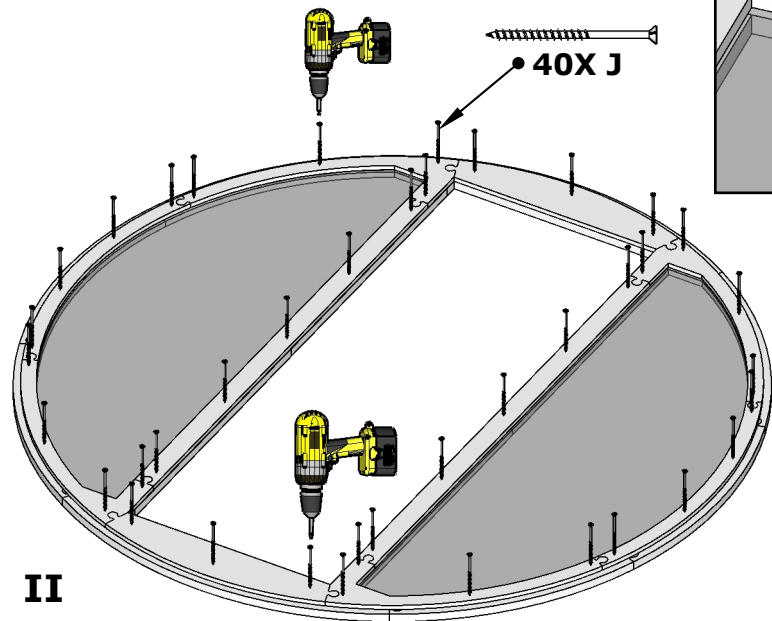


2.

# Glass Wall mounting Ø226

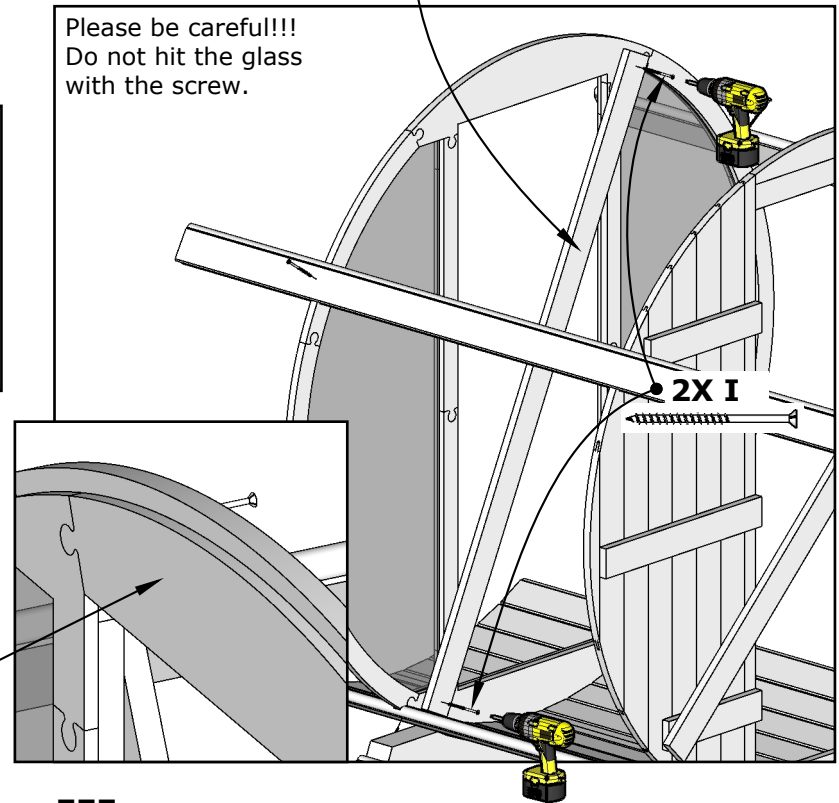


Cut board from pallet L= $\sim$ 2200mm.  
• Fix it diagonally to make wall more rigid during the installation.



Please be careful!!!  
Do not hit the glass with the screw.

Attention!  
Place cover frame outside

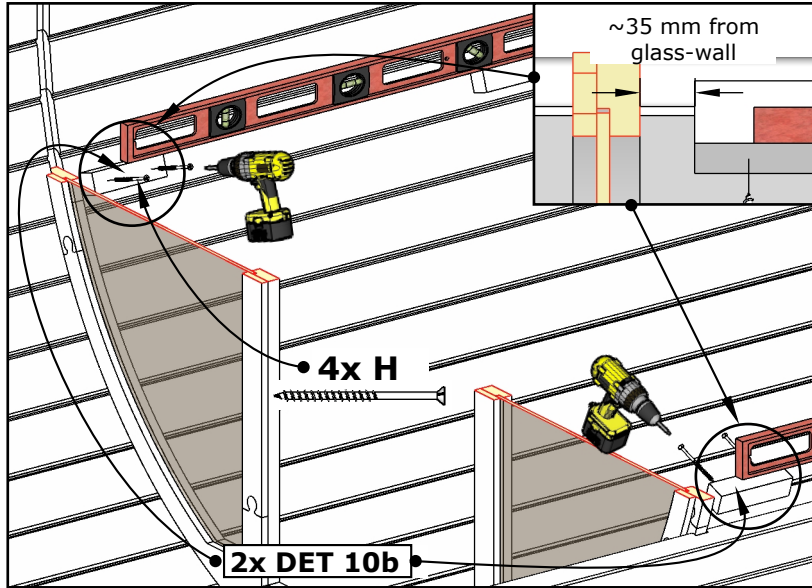


Please be careful!!!  
Do not hit the glass with the screw.

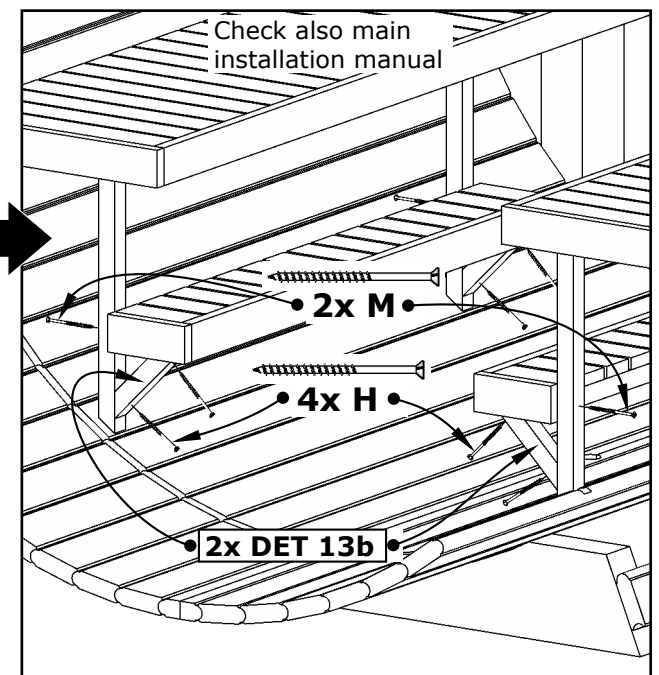
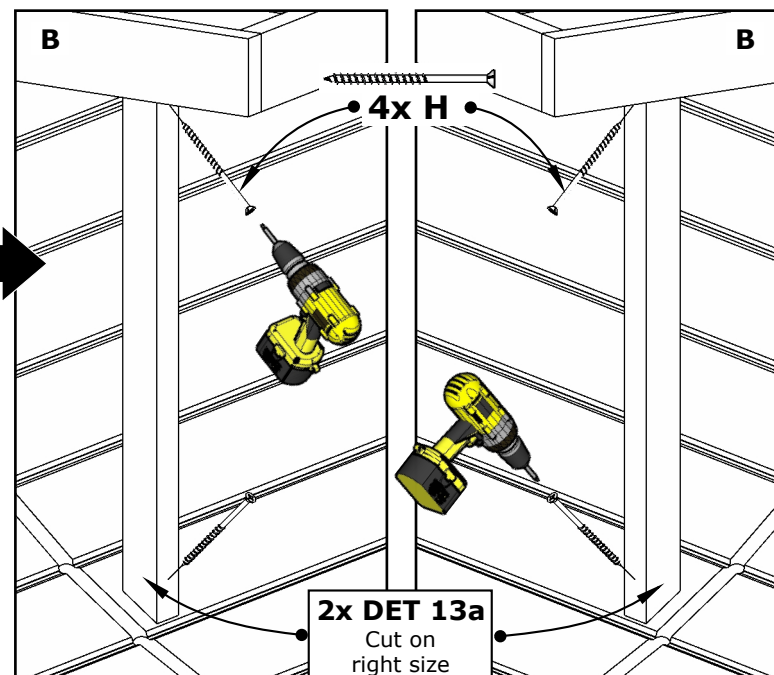
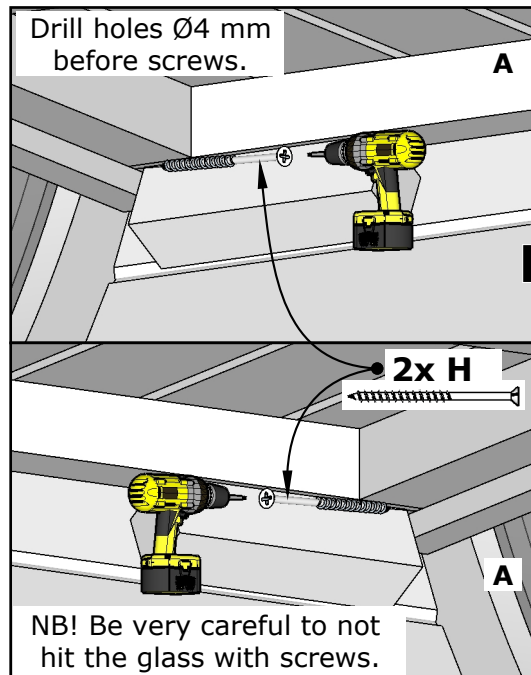
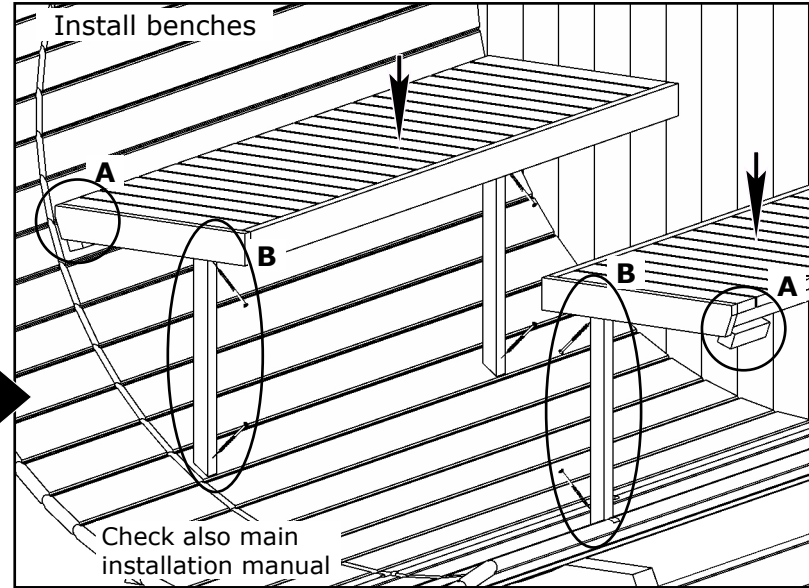
3.

(I26-TKE-PK-018)

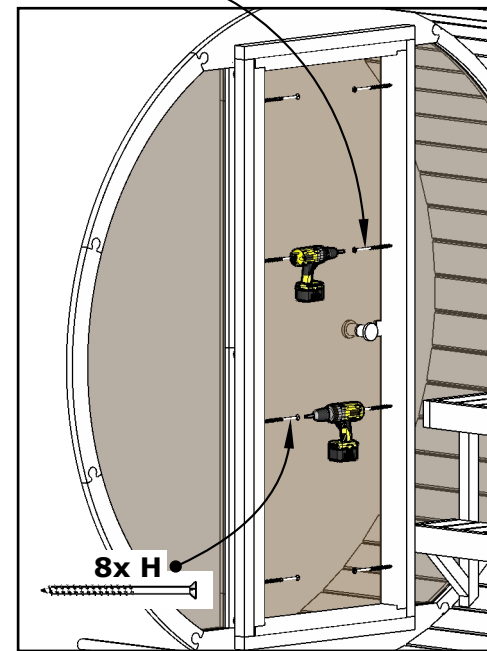
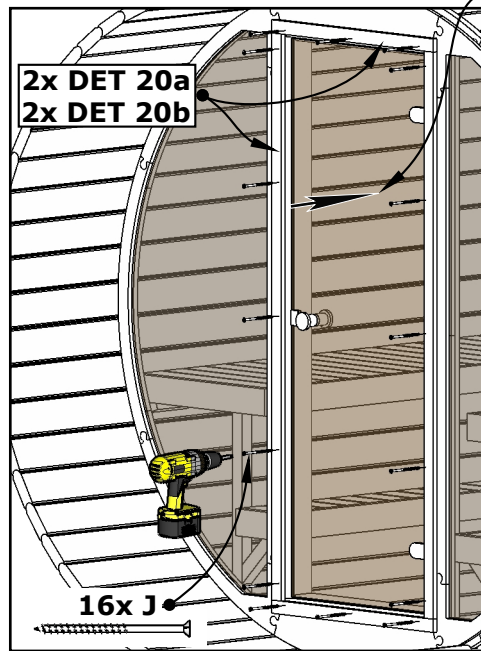
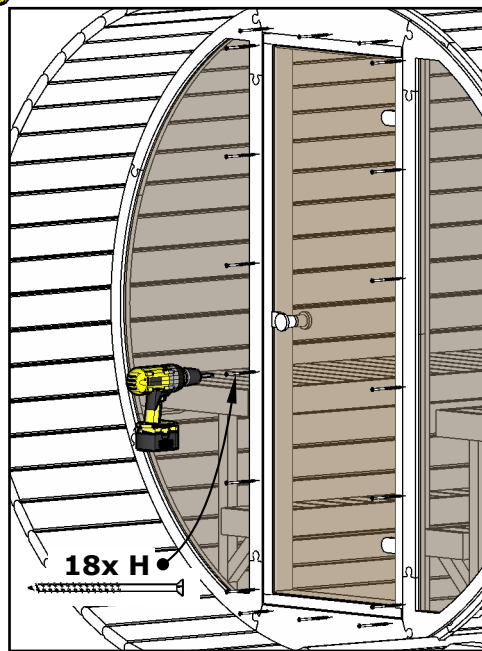
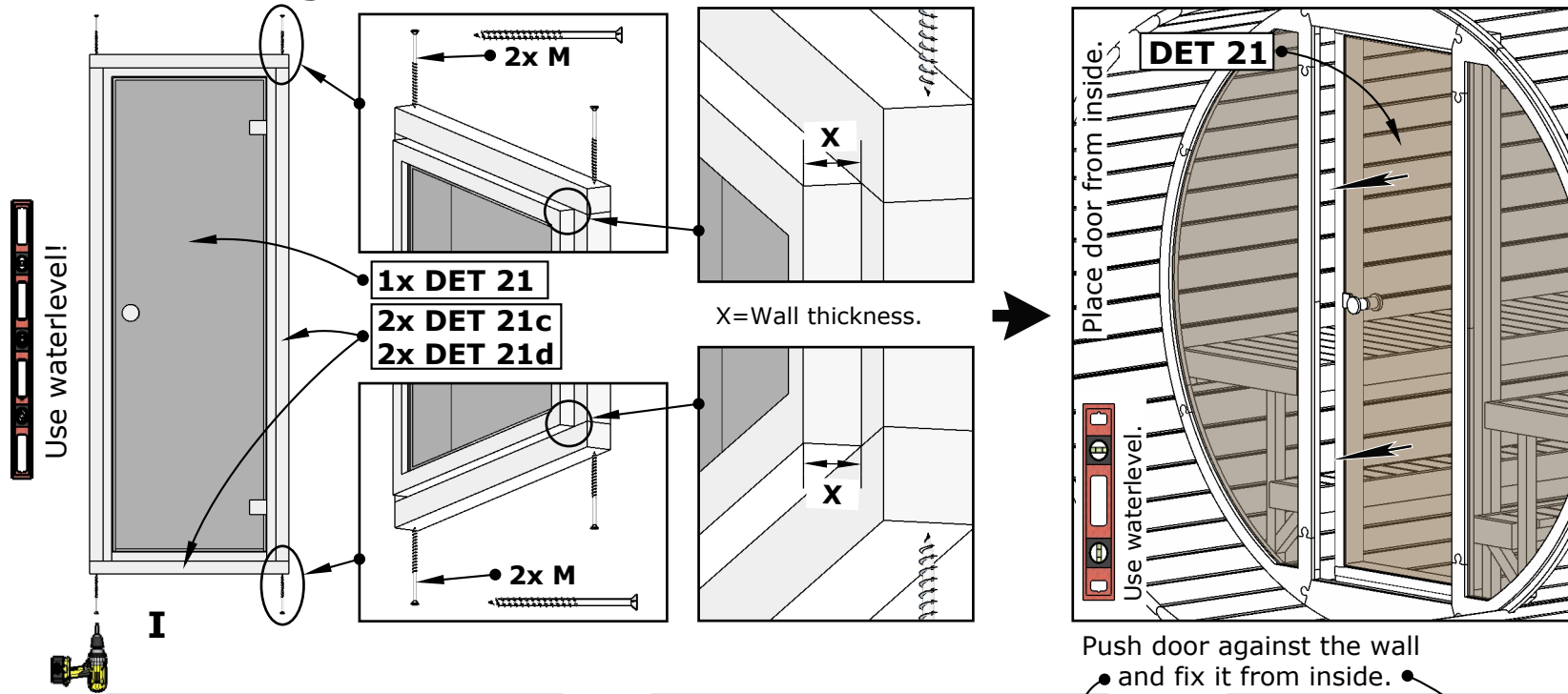
## Glass Wall mounting Ø226



## Benches installation



# Glass Wall mounting Ø226

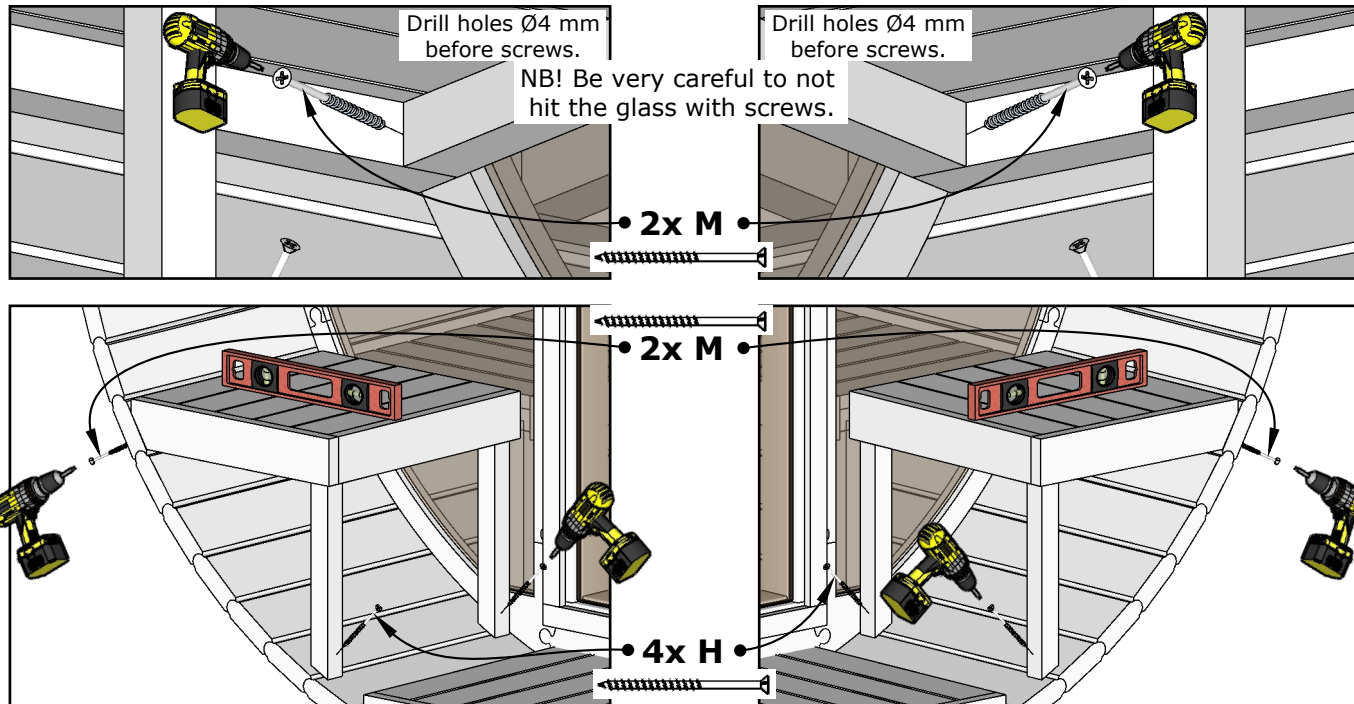
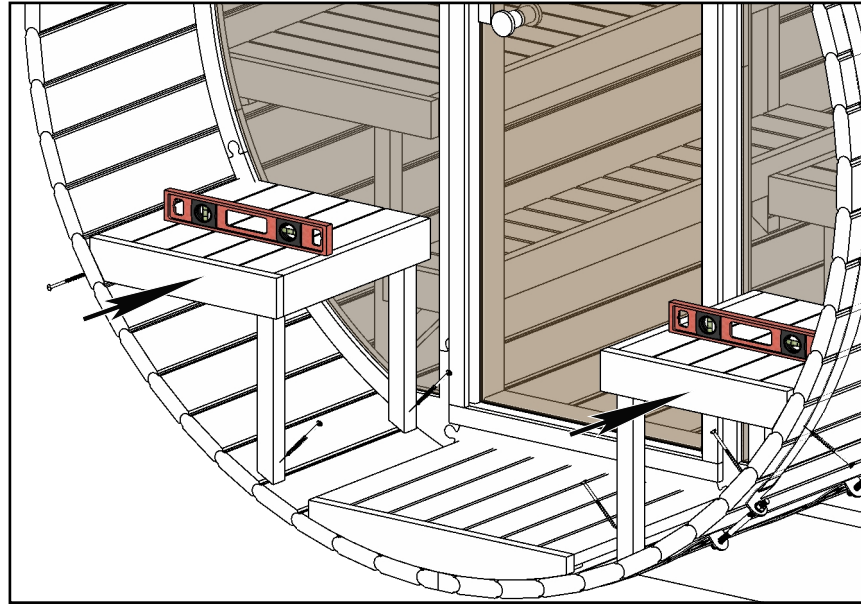
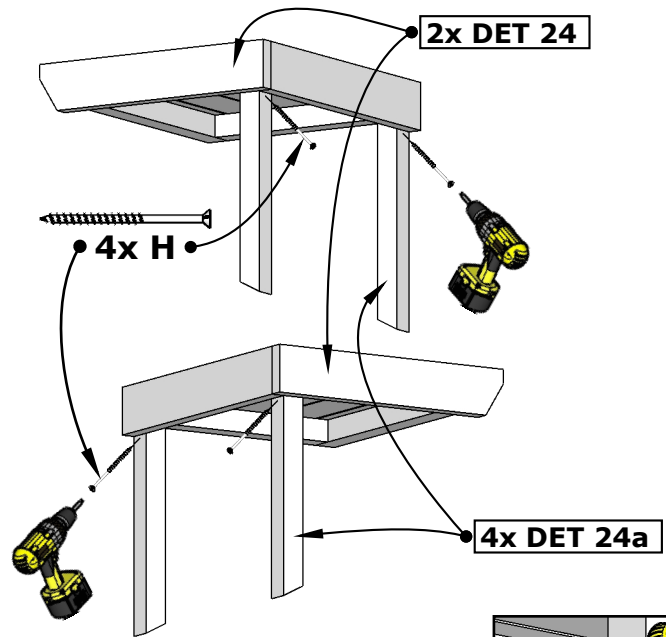


5.

II

(I26-TKE-PK-018)

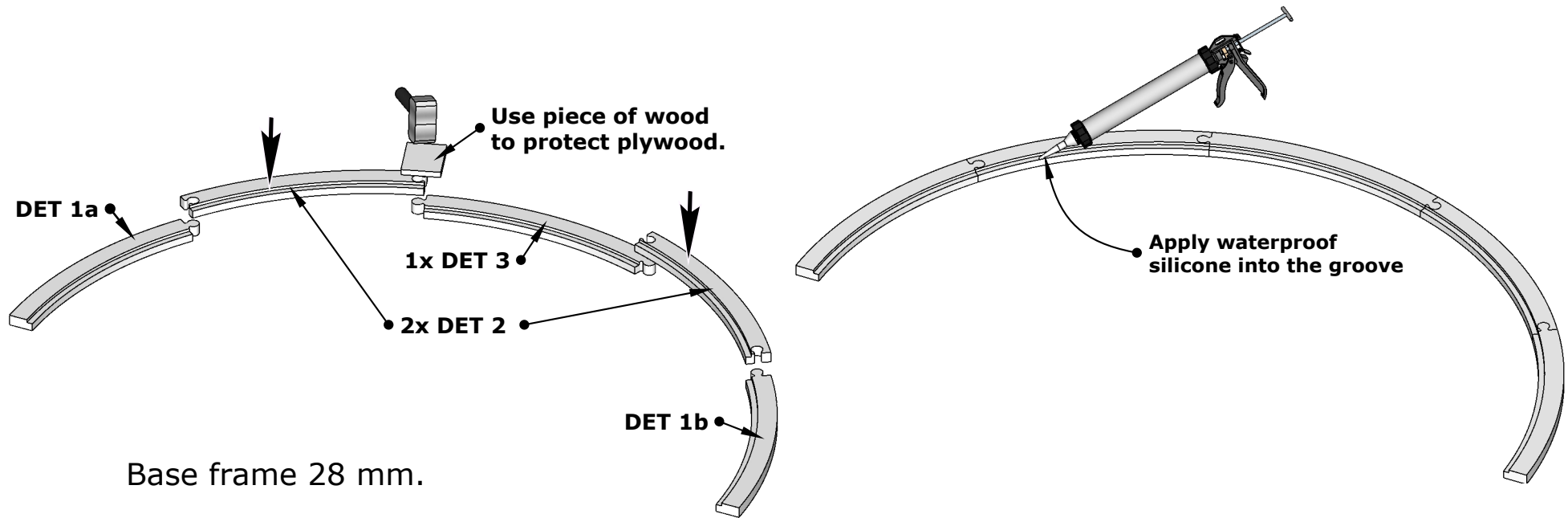
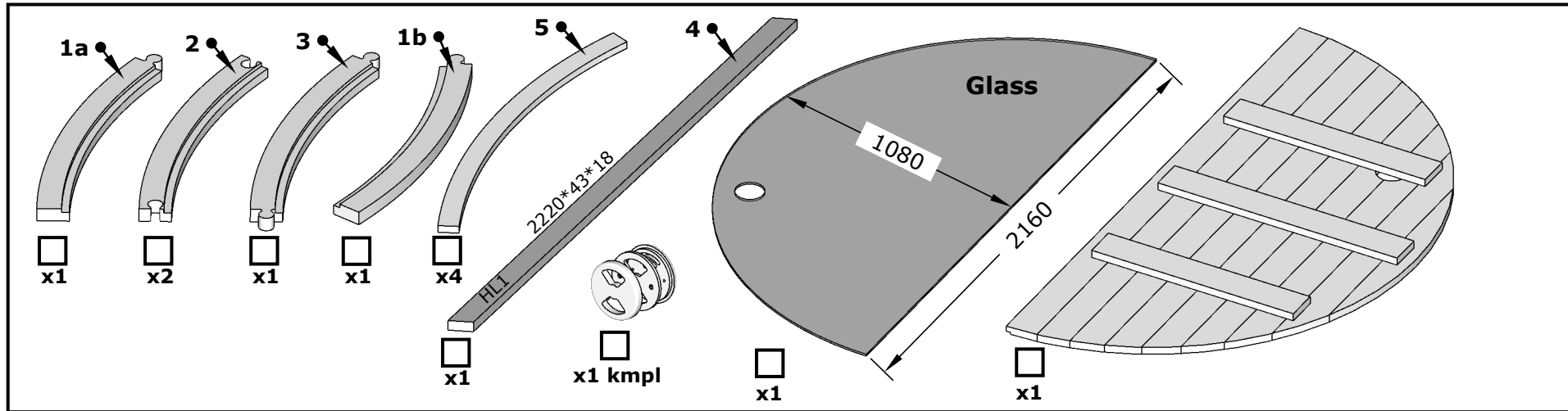
# Glass Wall mounting Ø226





# Half-moon glass wall mounting

(Wall thickness 28 mm.)

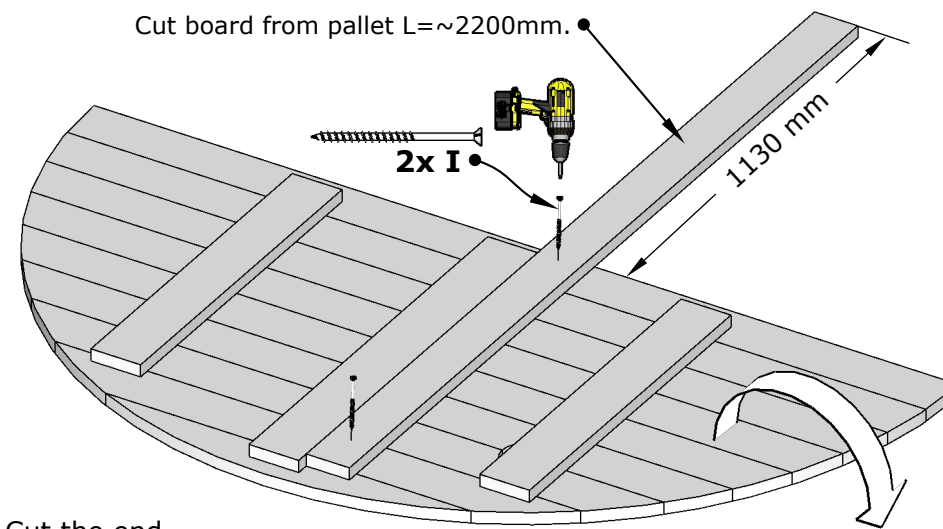
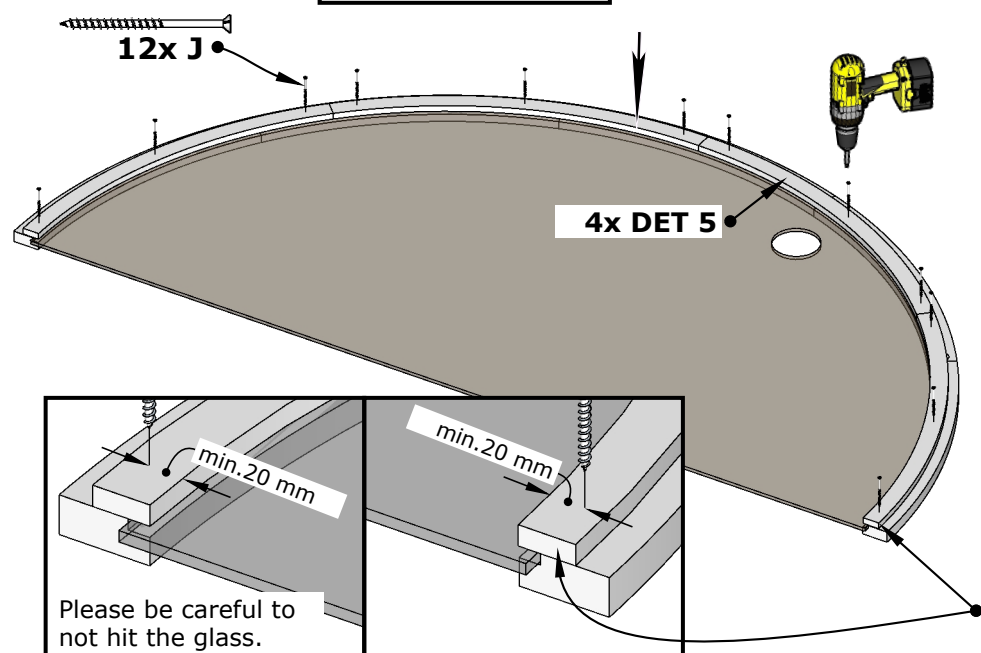
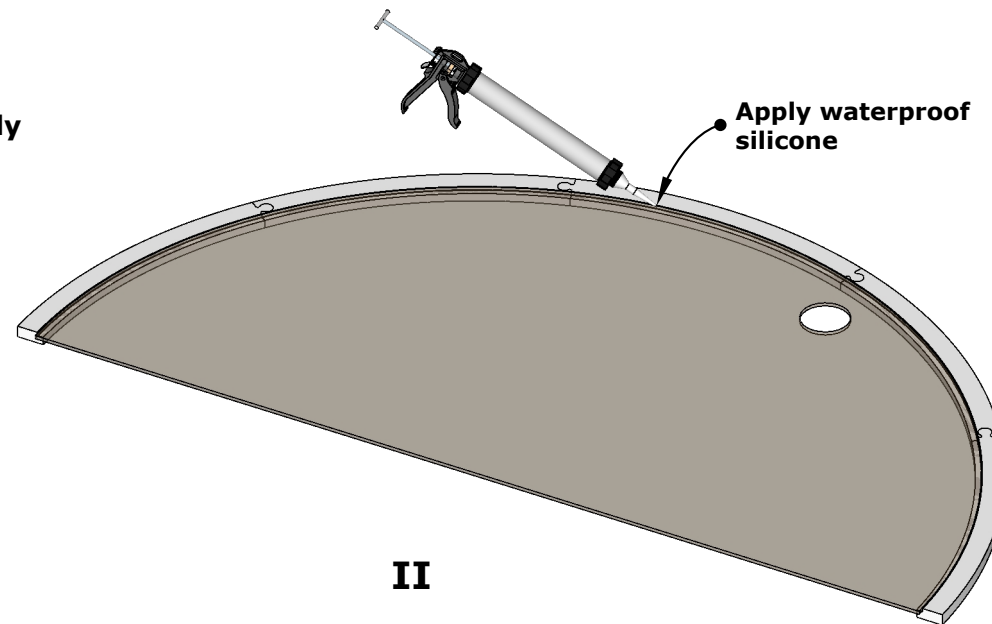
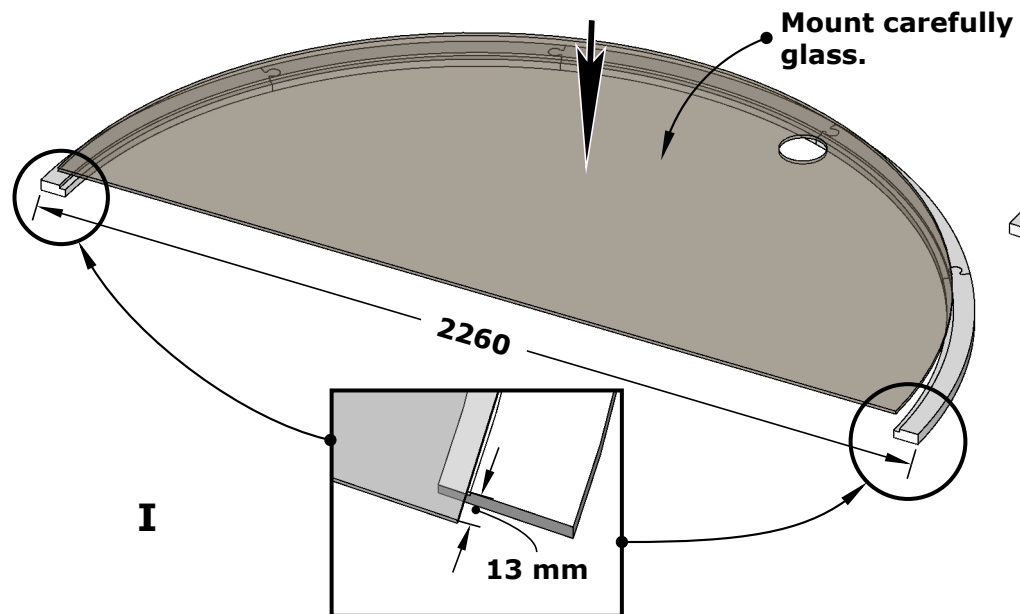


**1.**

(I26-TKE-PK-018)

# Half-moon glass wall mounting

(Wall thickness 28 mm.)

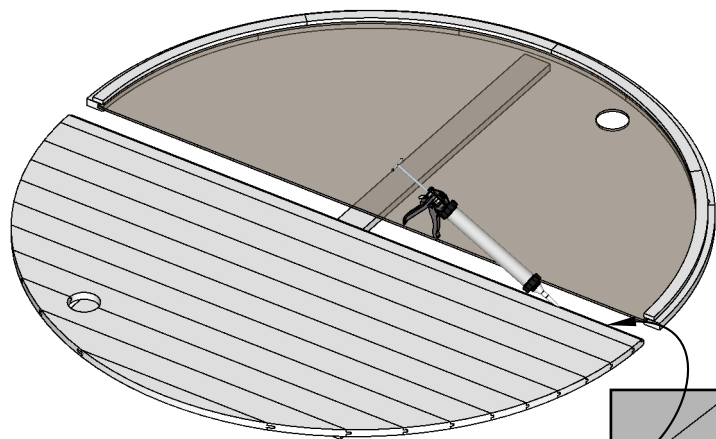


2. III

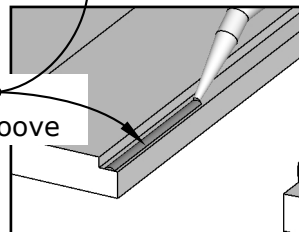
(I26-TKE-PK-018)

# Half-moon glass wall mounting

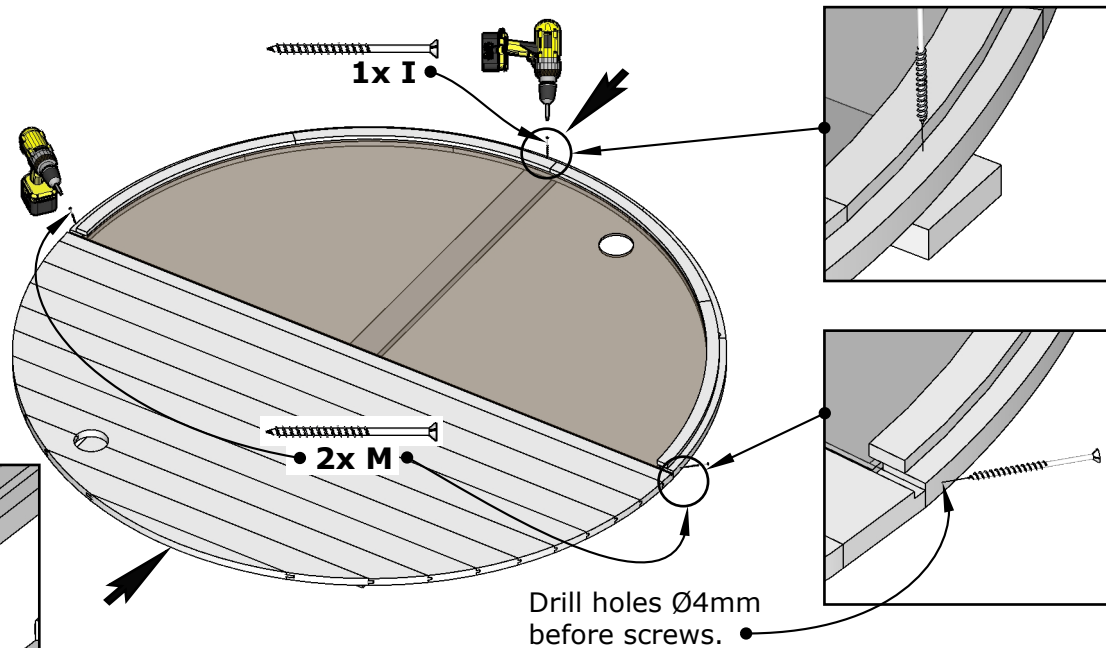
(Wall thickness 28 mm.)



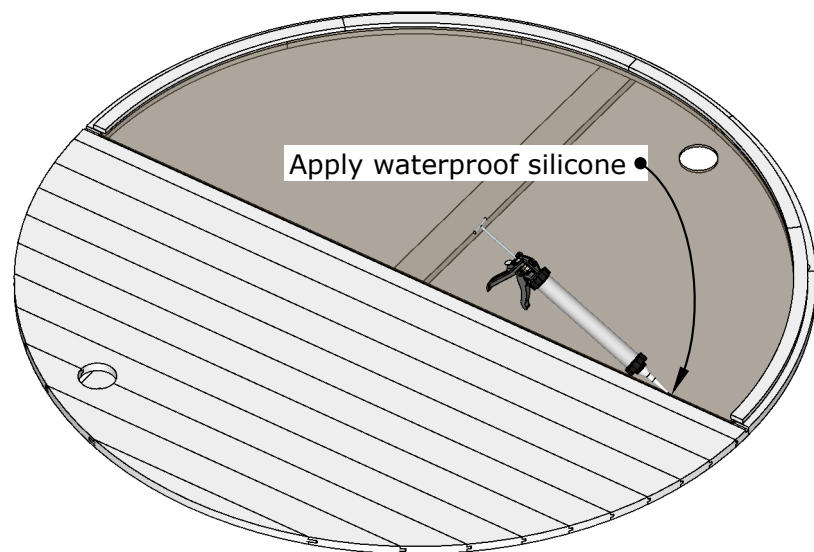
Apply waterproof silicone into the groove



**I**

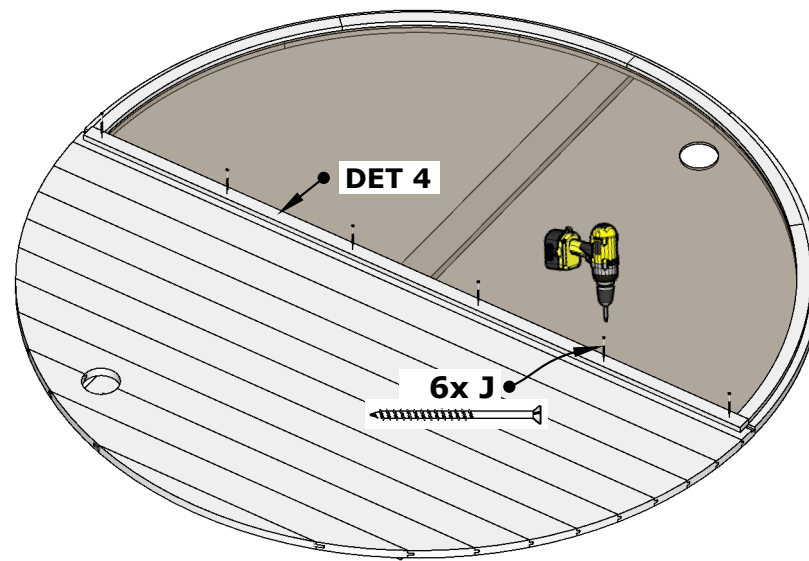


Drill holes Ø4mm before screws.



Apply waterproof silicone

**III**

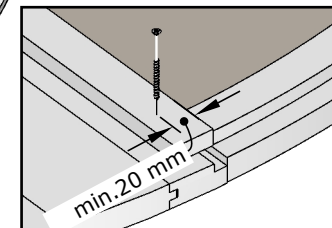


DET 4

6x J

**Proceed with main installation manual.**

Please be careful to not hit the glass.



min. 20 mm

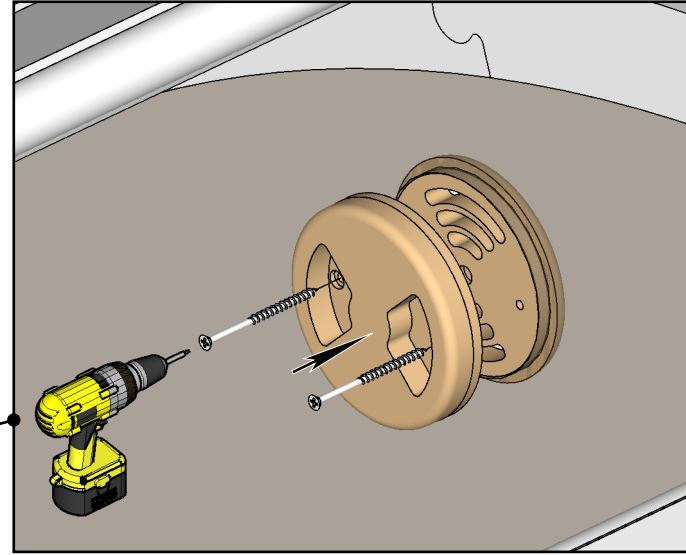
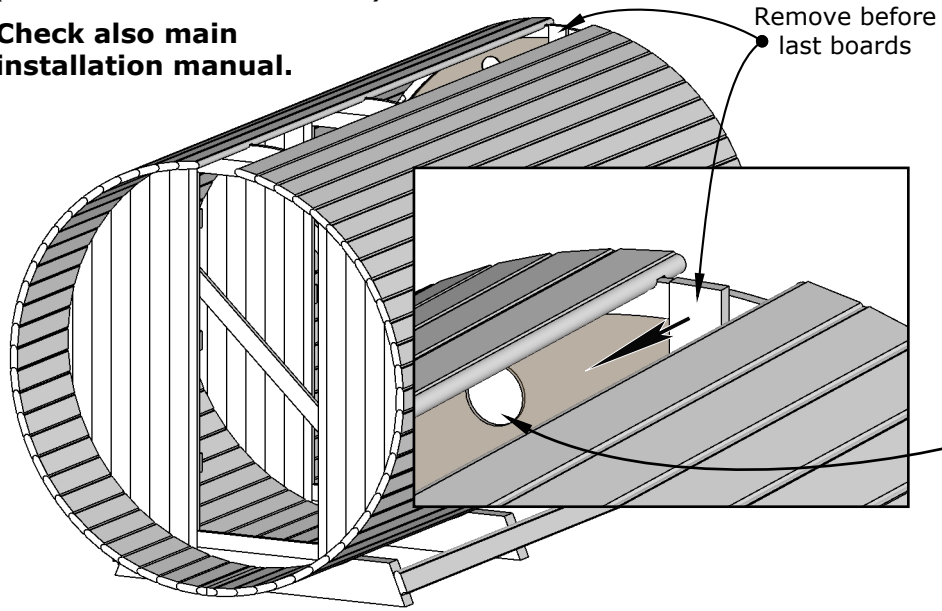
**3.**

(I26-TKE-PK-018)

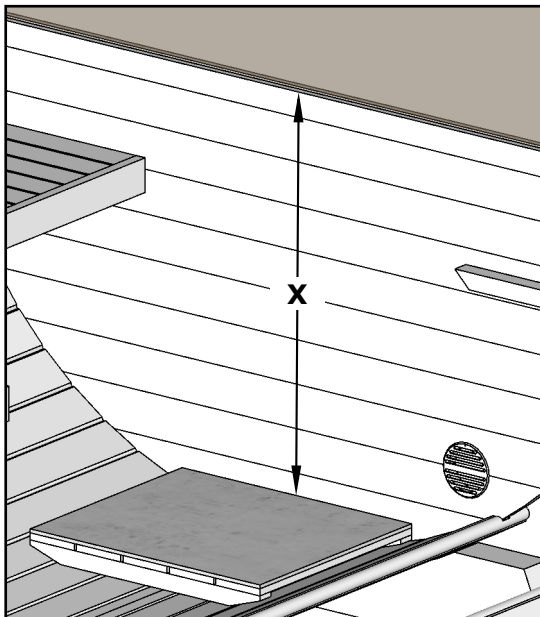
# Half-moon glass wall mounting

(Wall thickness 28 mm.)

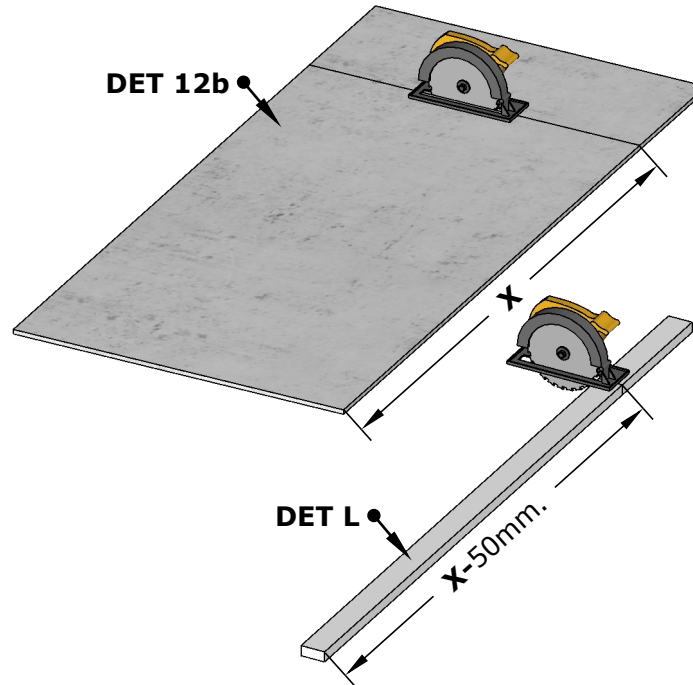
Check also main installation manual.



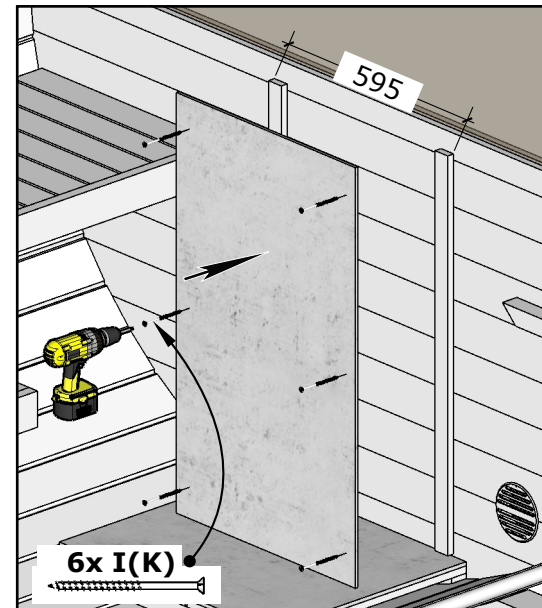
I



DET 12b



Check also main installation manual.

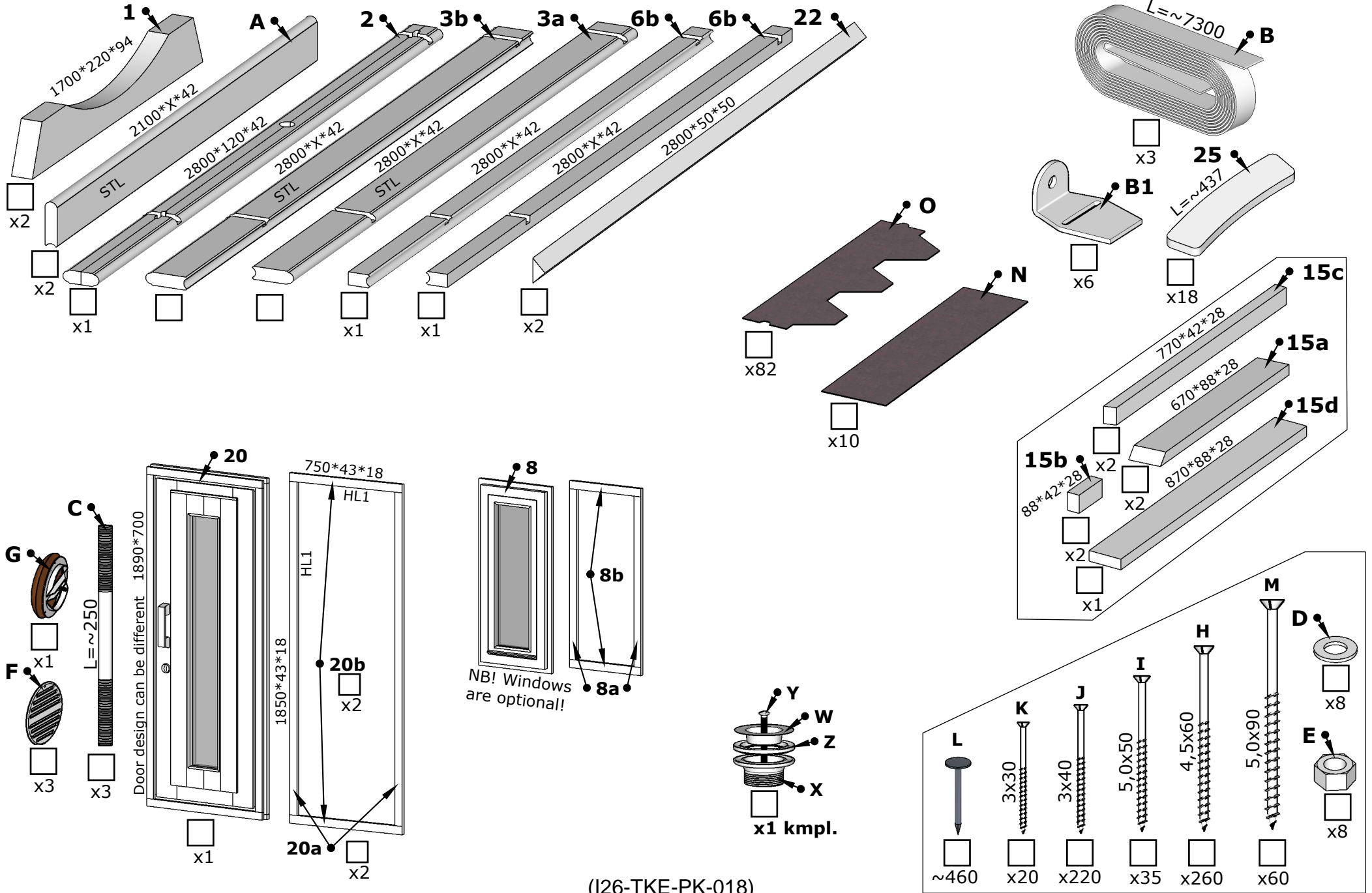


4.

(I26-TKE-PK-018)

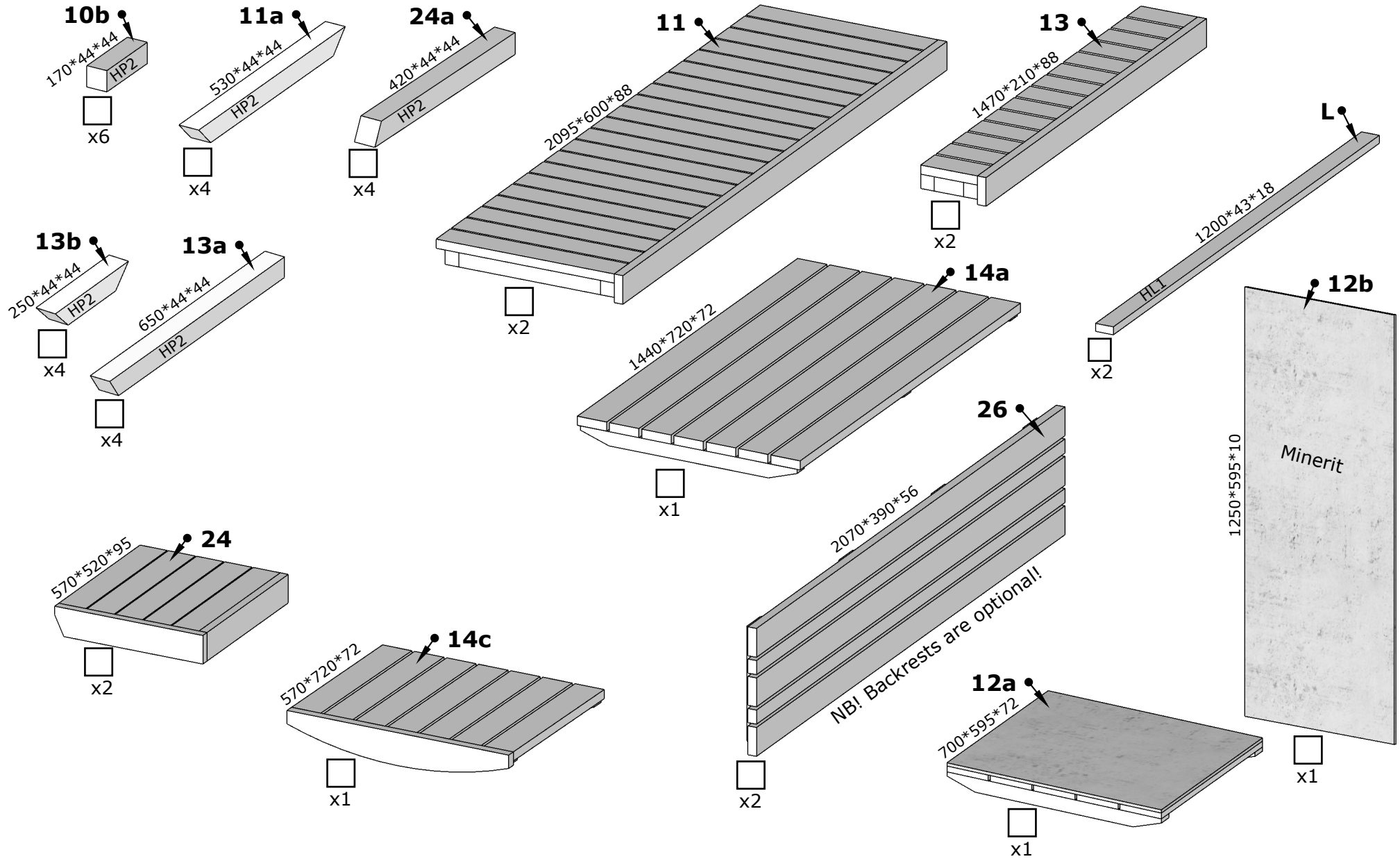
**Sauna 280, Ø226**

**Details list 1.**

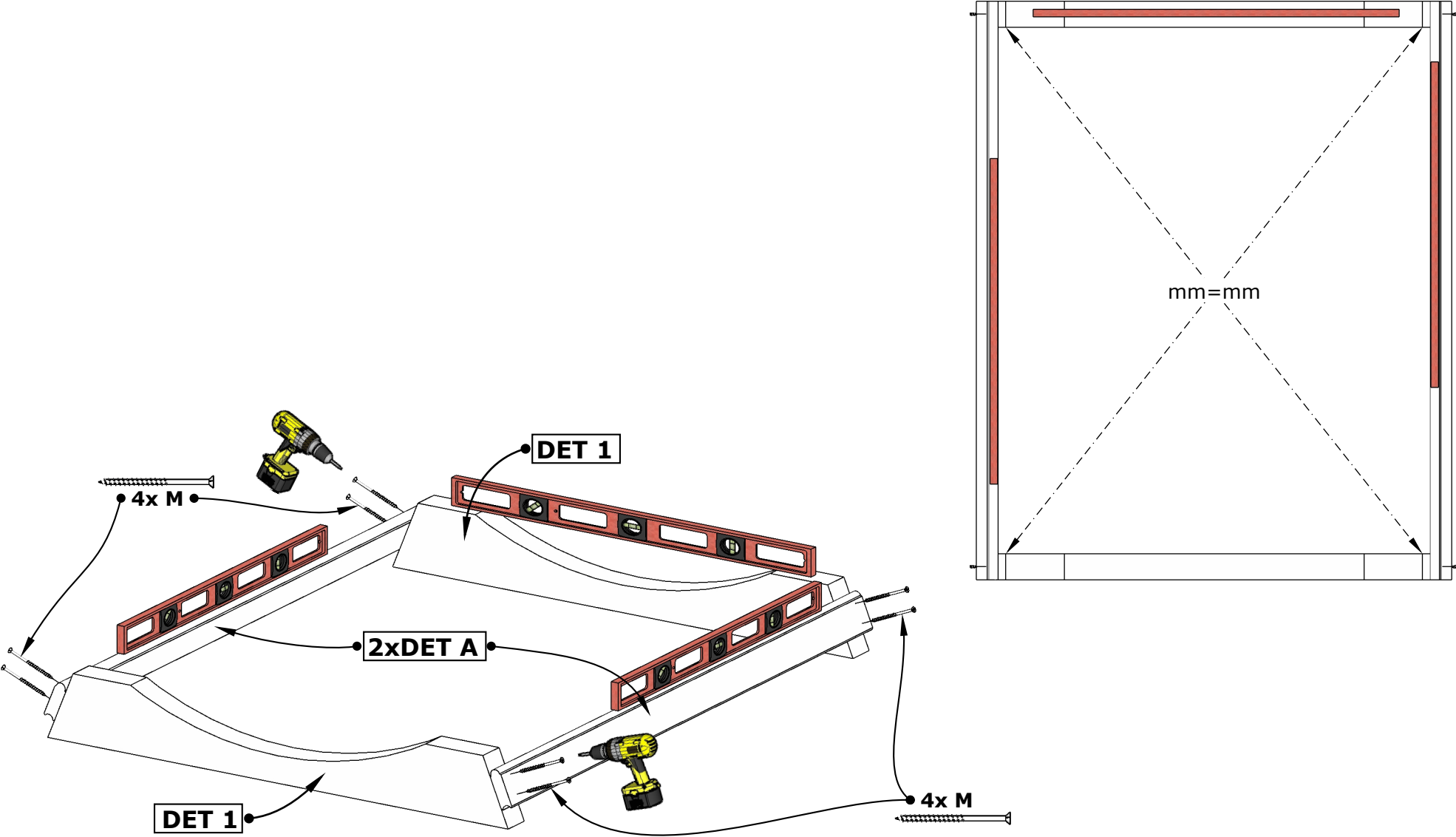


Sauna 280, Ø226

Details list 2.



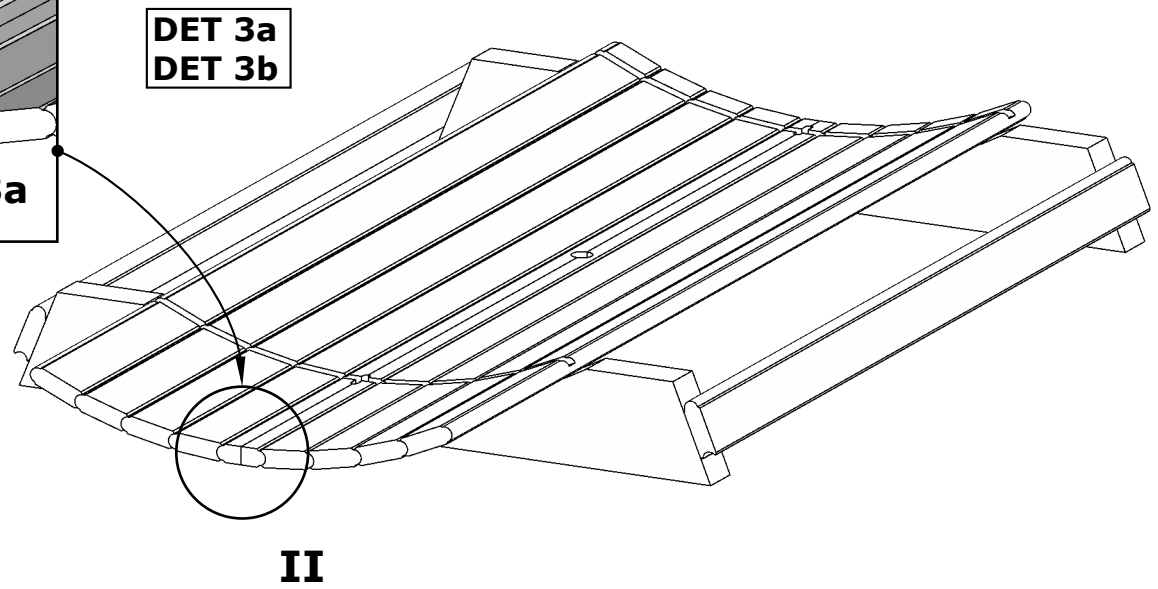
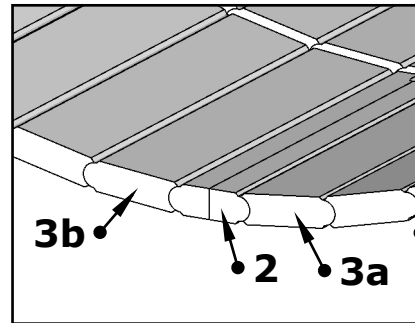
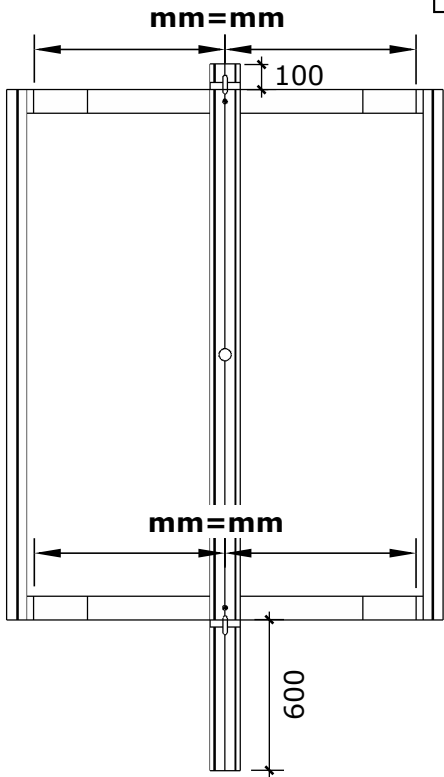
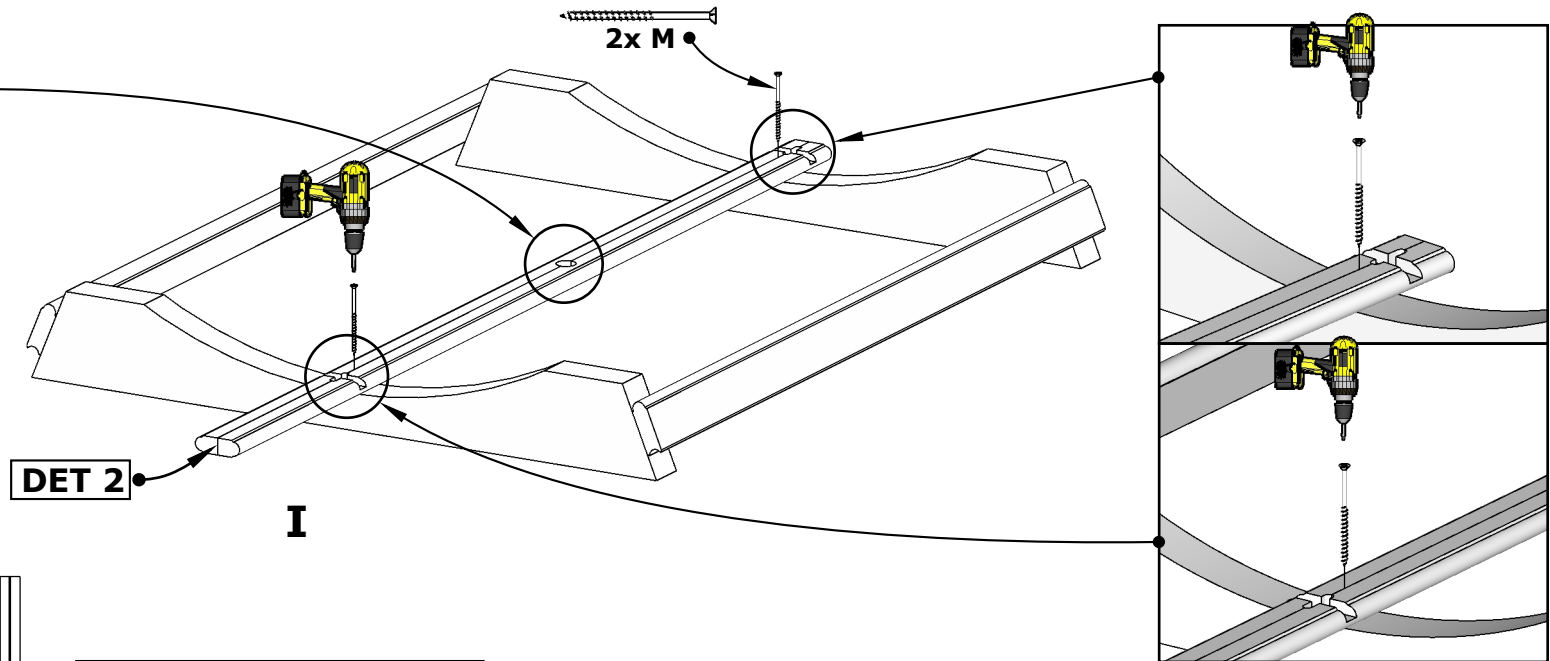
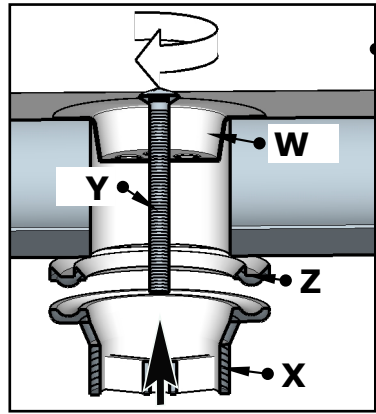
Sauna 280, Ø226



1.

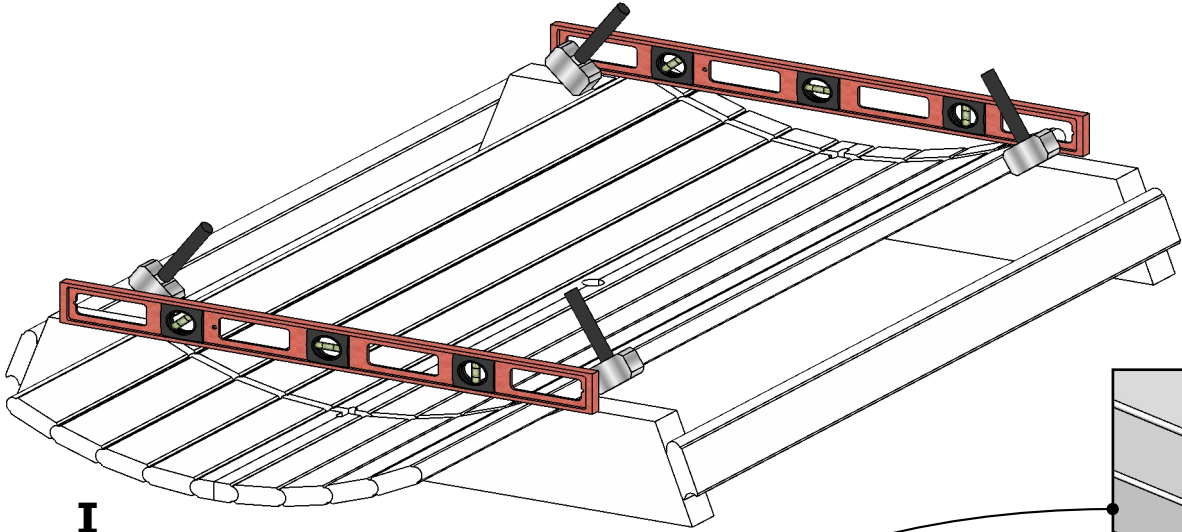
(I26-TKE-PK-018)

# Sauna 280, Ø226

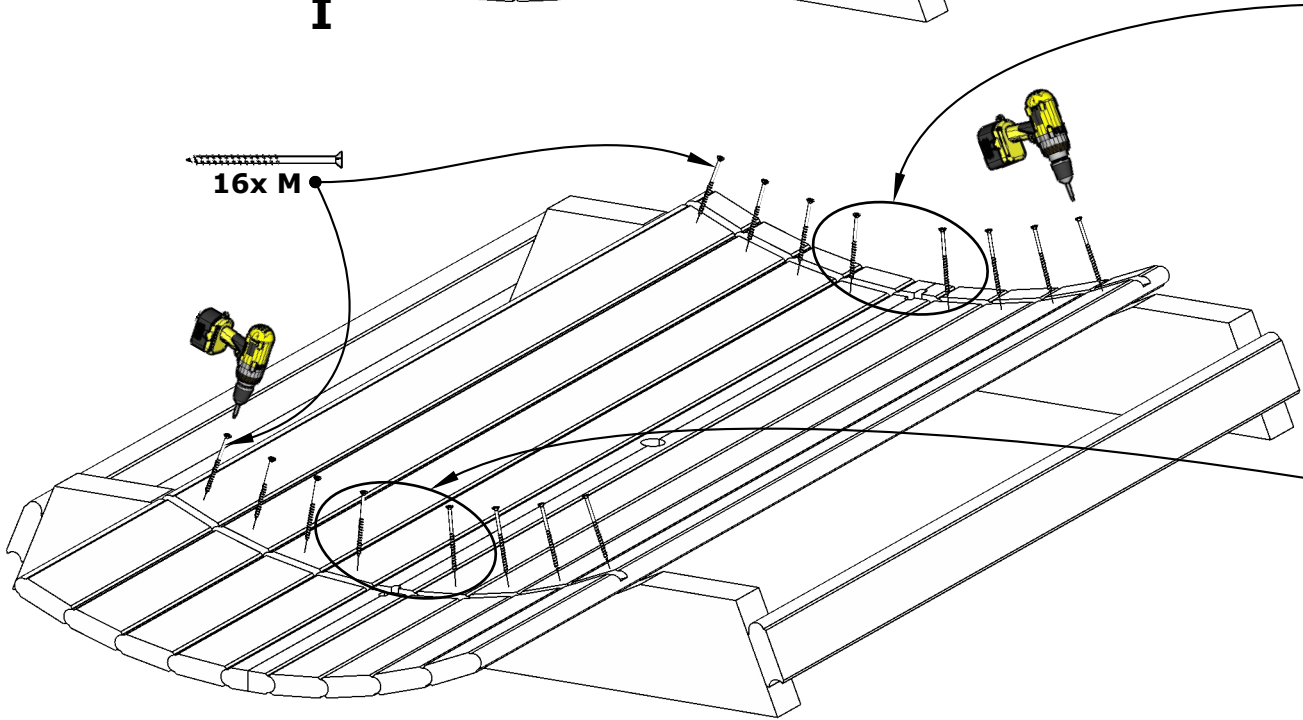




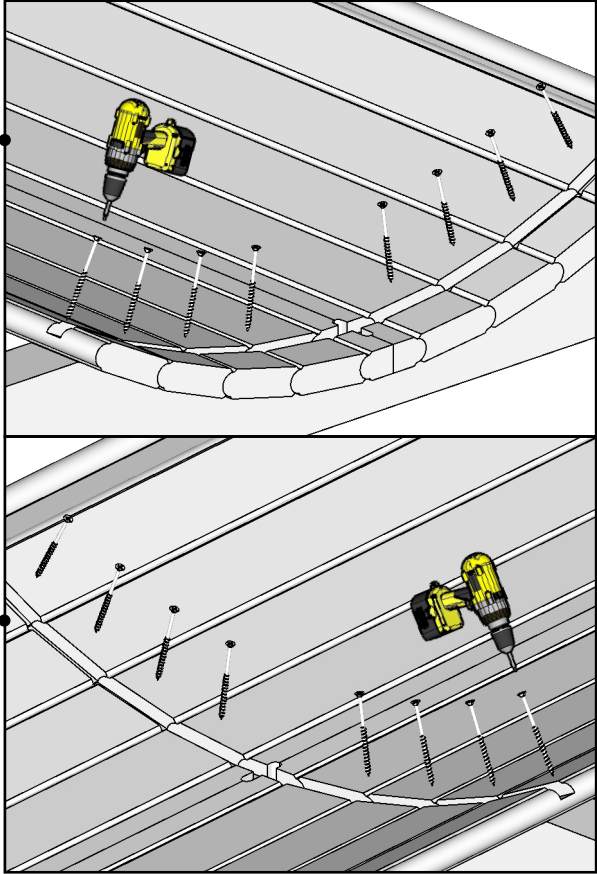
Sauna 280, Ø226



I



II



# Sauna 280, Ø226

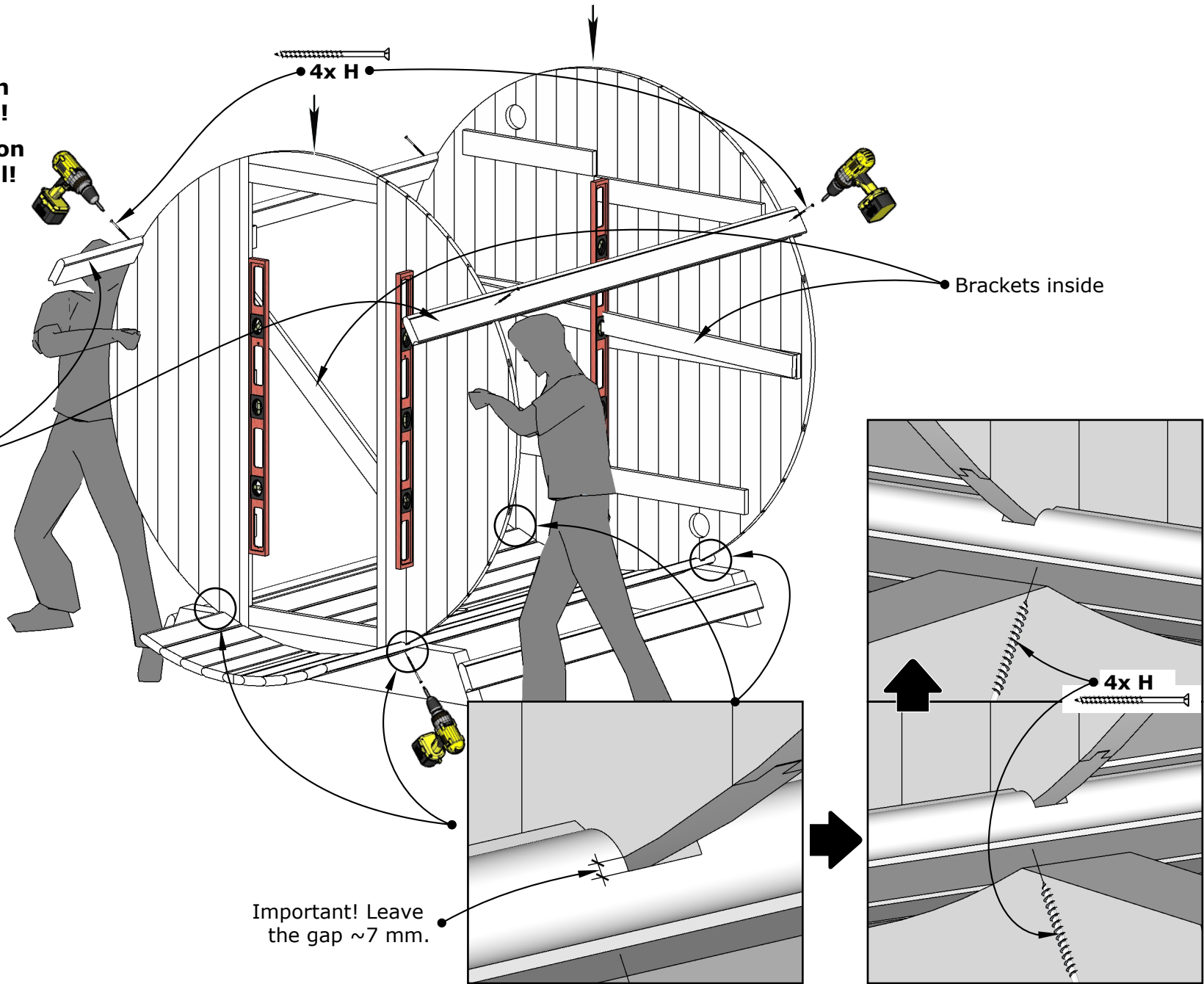
Use waterlevel



Check walls installation manual on extra pages!

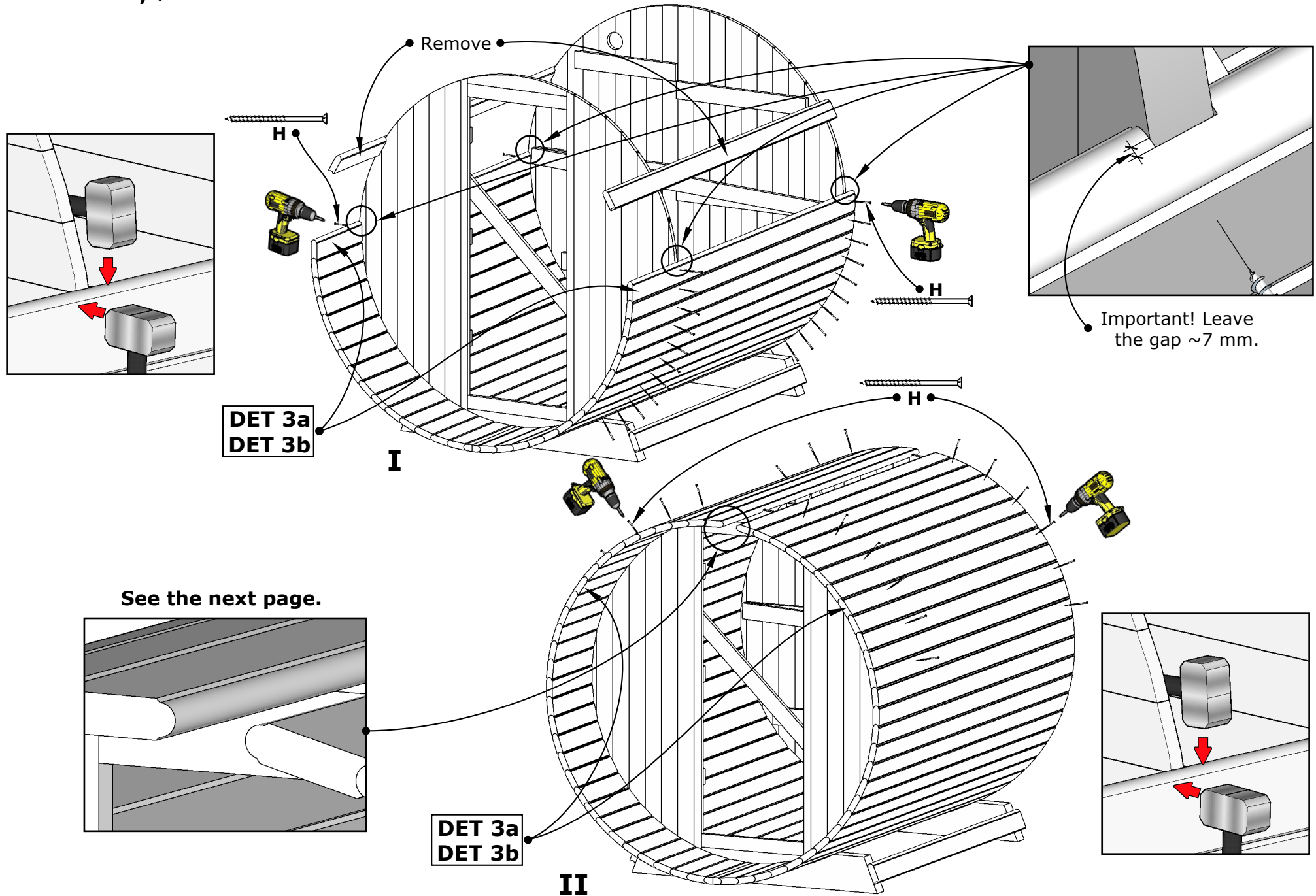
Sauna wall configuration depends on Your model!

**DET 3a**  
**DET 3b**  
Fix temporarily to support walls.



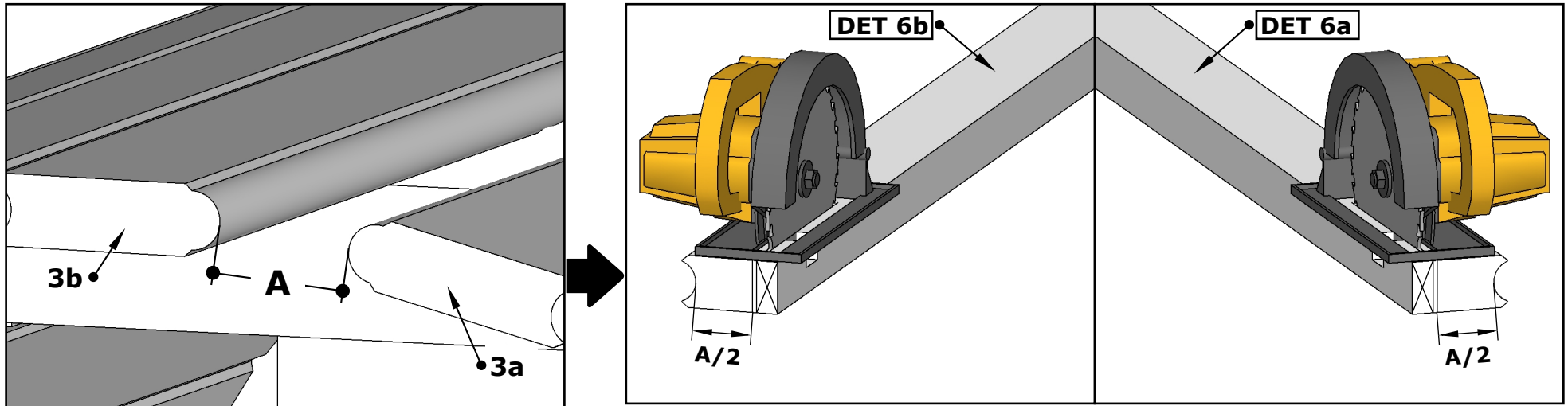
Important! Leave the gap ~7 mm.

# Sauna 280, Ø226

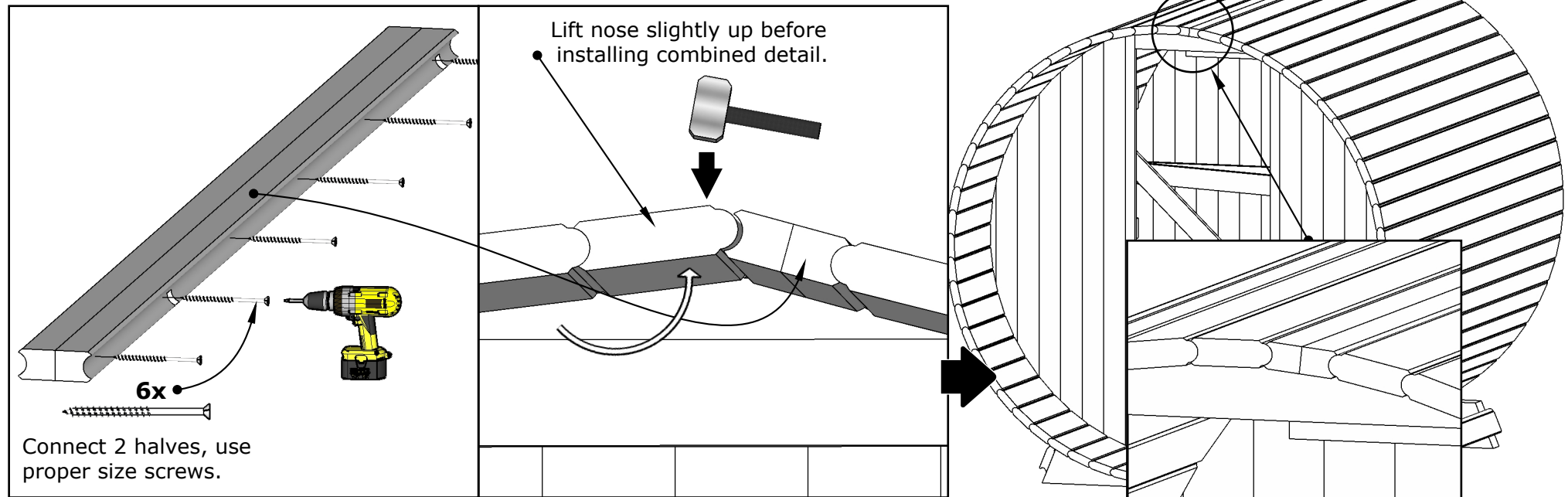


See the next page.

# Sauna 280, Ø226



**I**

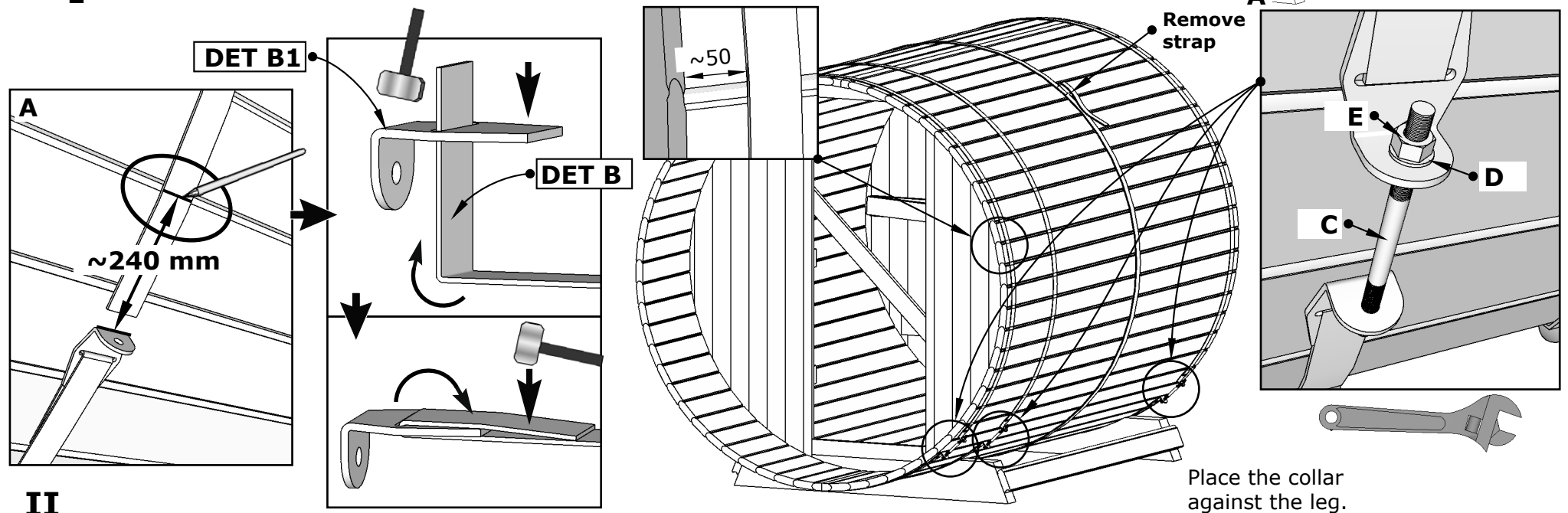
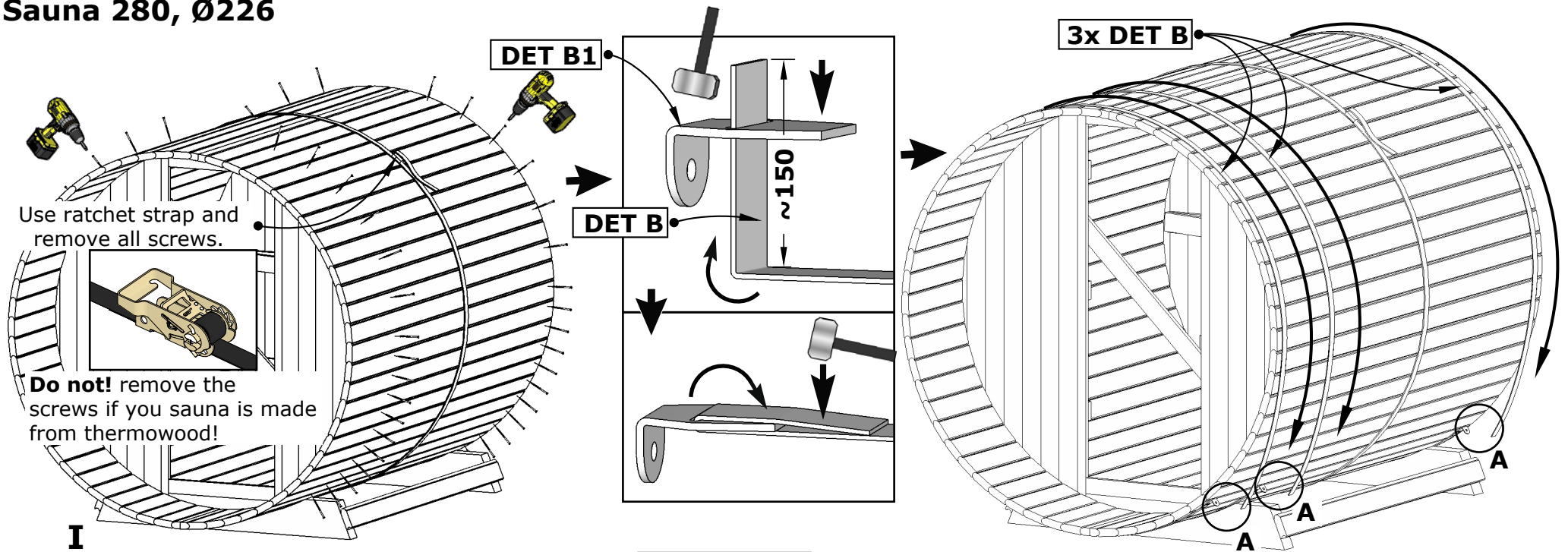


**II**

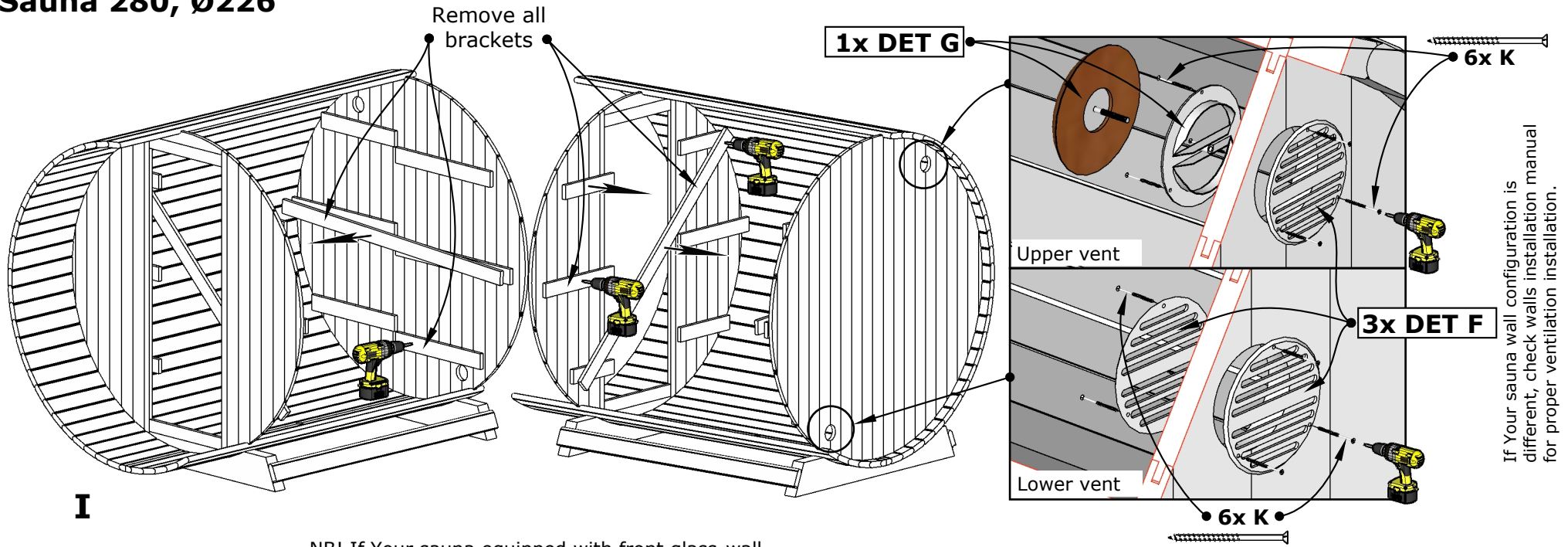
6.

(I26-TKE-PK-018)

# Sauna 280, Ø226

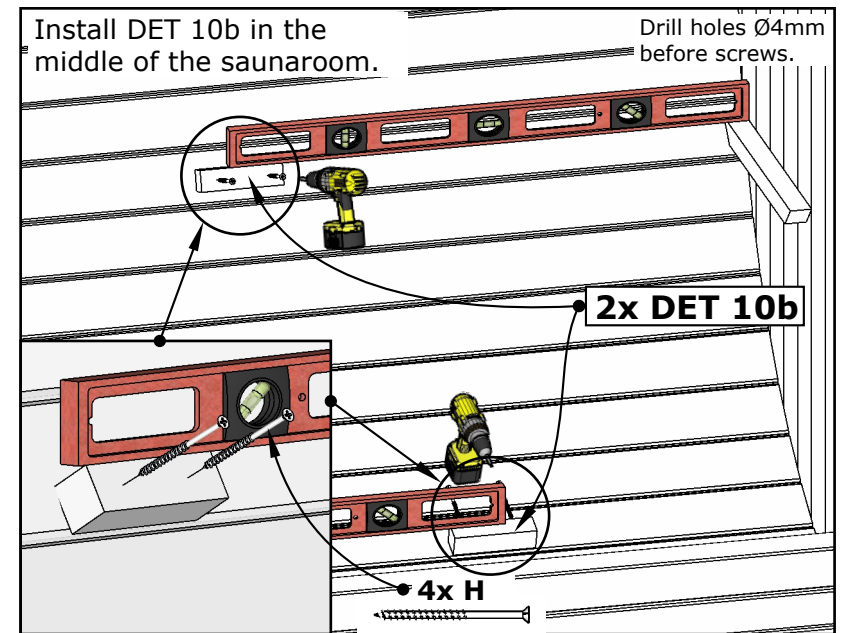
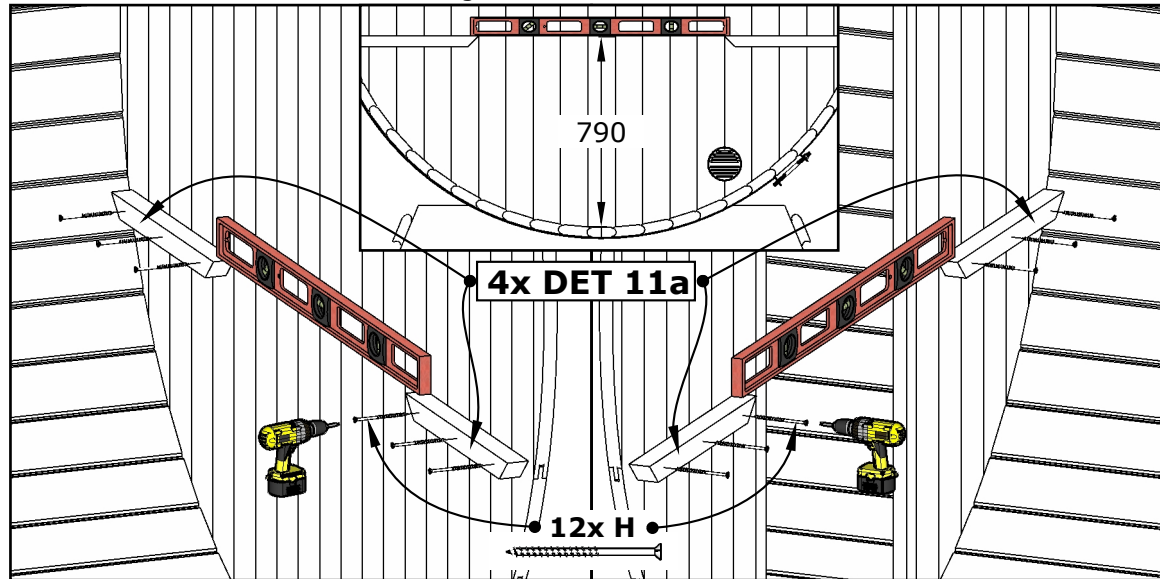


# Sauna 280, Ø226

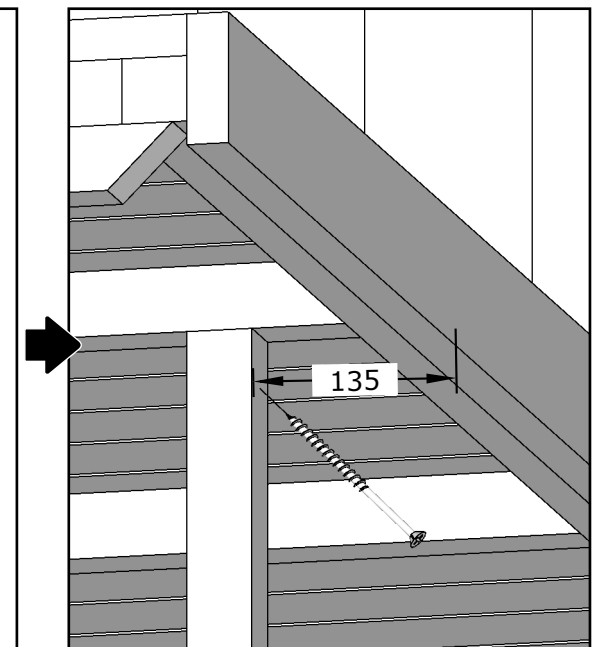
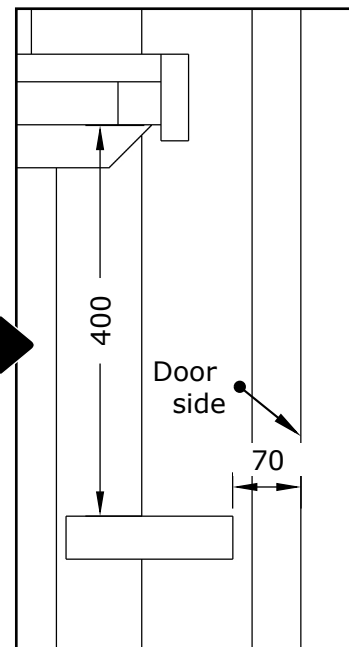
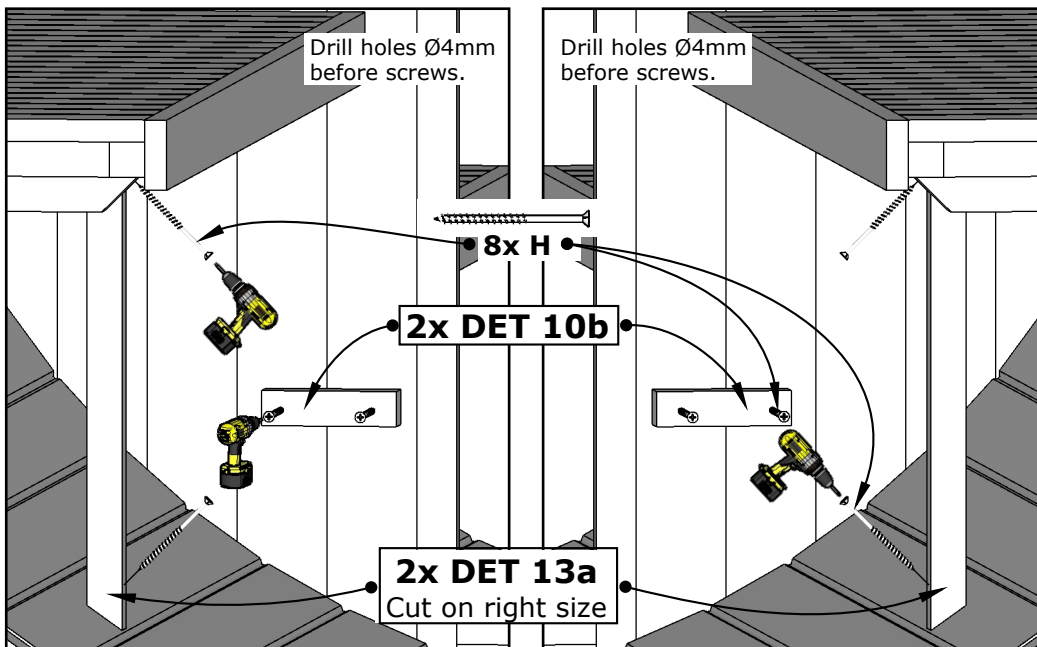
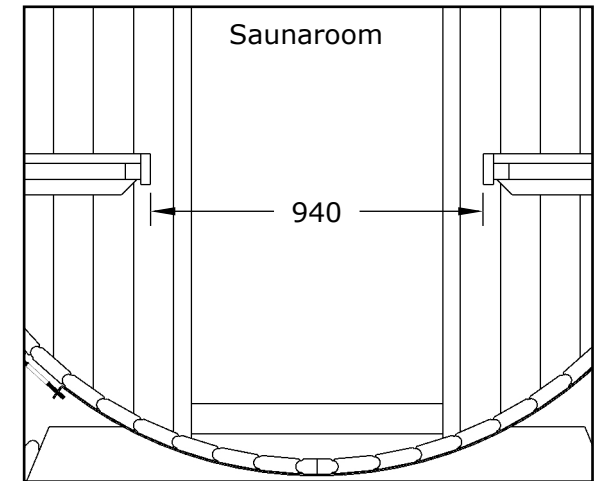
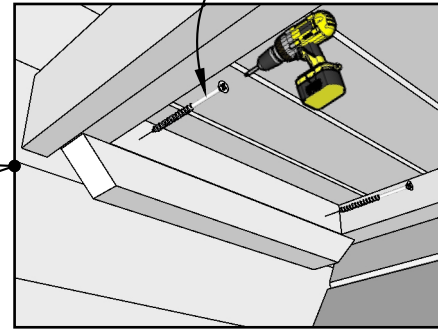
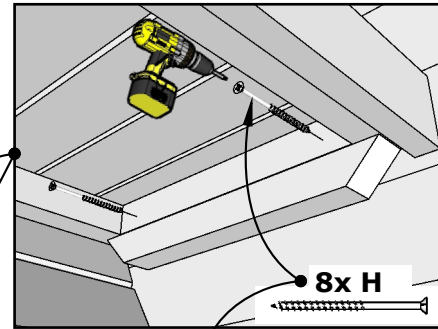
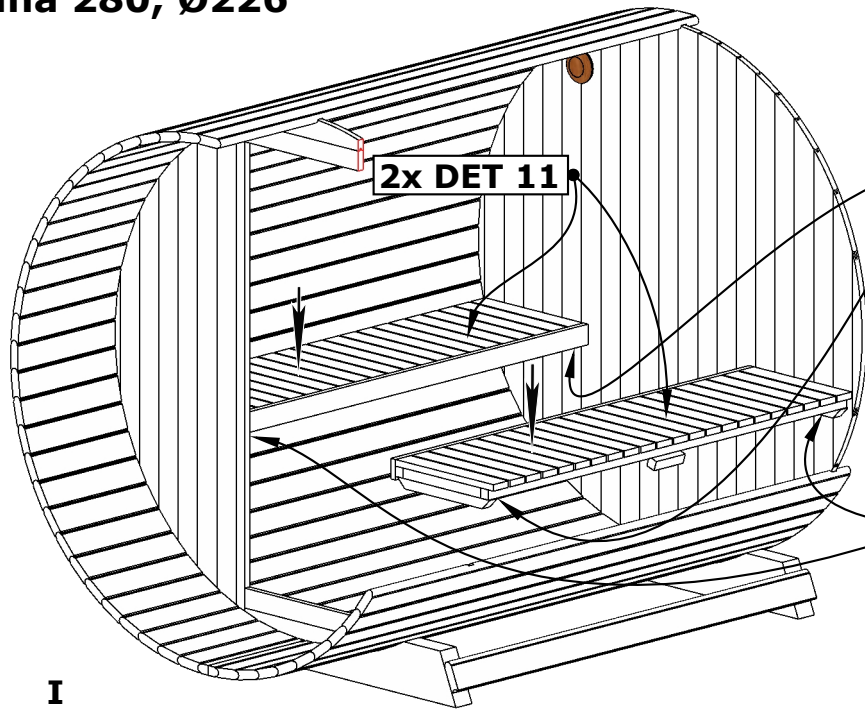


If Your sauna wall configuration is different, check walls installation manual for proper ventilation installation.

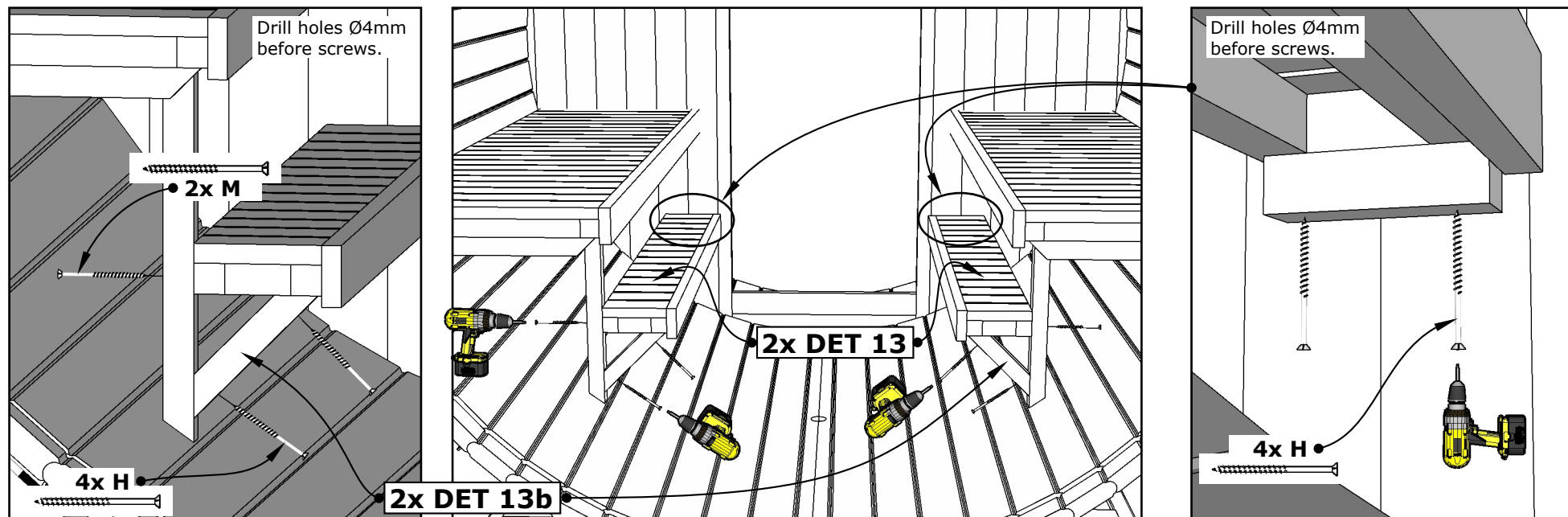
NB! If Your sauna equipped with front glass-wall, the sauna benches installation manual included in front glass-wall installation manual.



# Sauna 280, Ø226



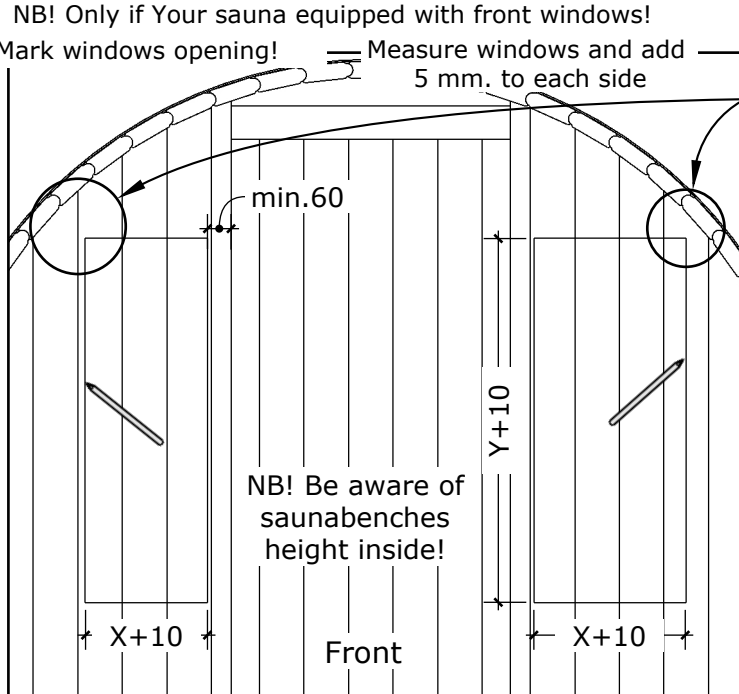
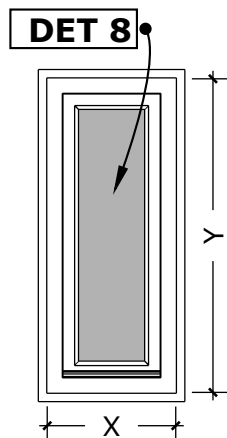
# Sauna 280, Ø226



I

NB! Only if Your sauna equipped with front windows!

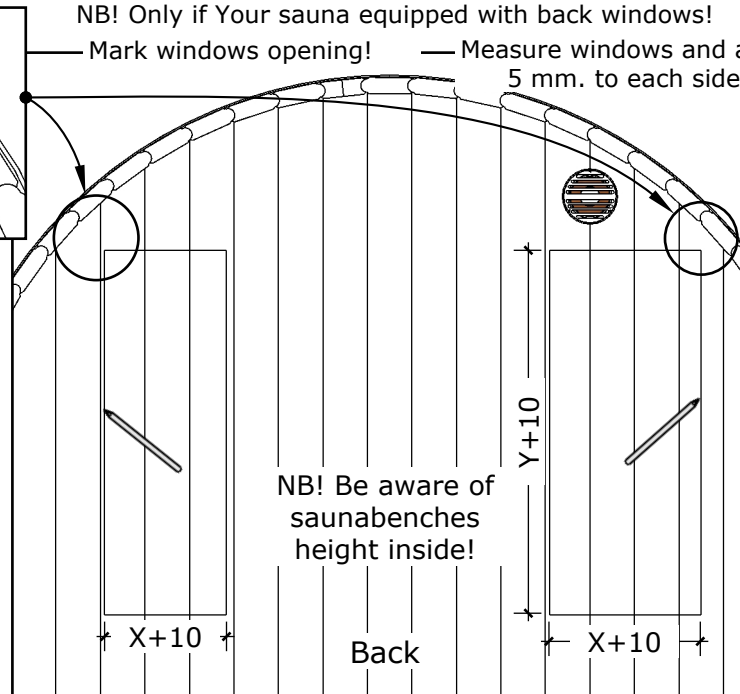
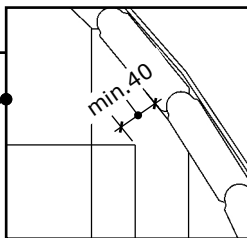
Mark windows opening! — Measure windows and add 5 mm. to each side



Front

NB! Only if Your sauna equipped with back windows!

Mark windows opening! — Measure windows and add 5 mm. to each side



Back

NB! Pay attention to window casement fitting!

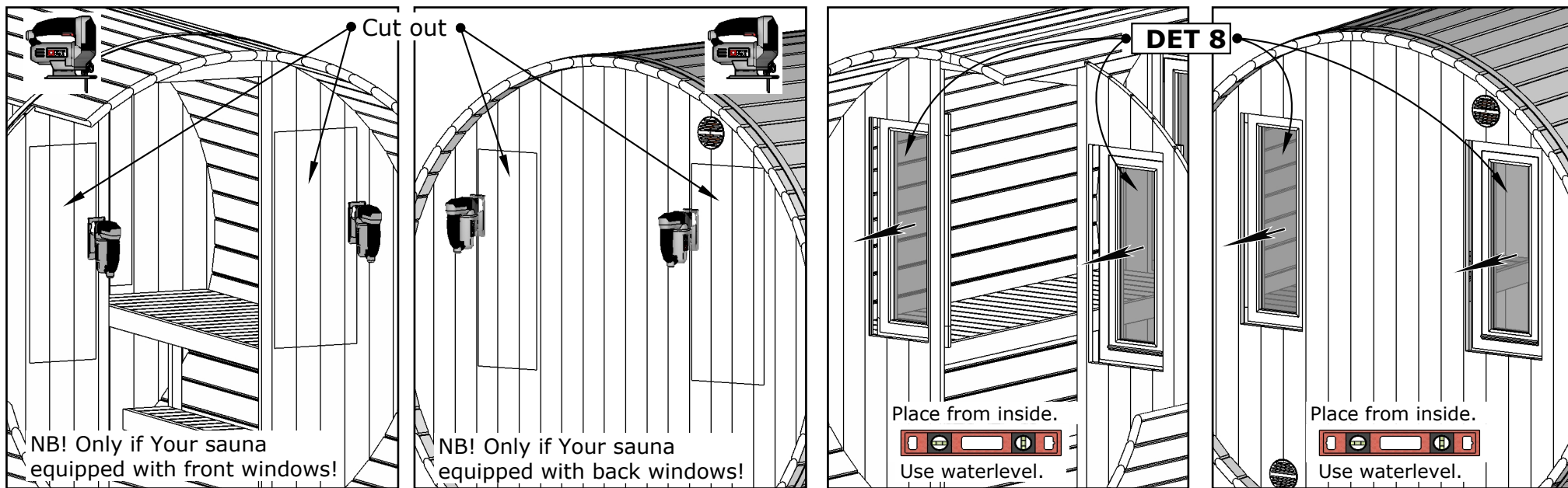
10.

II

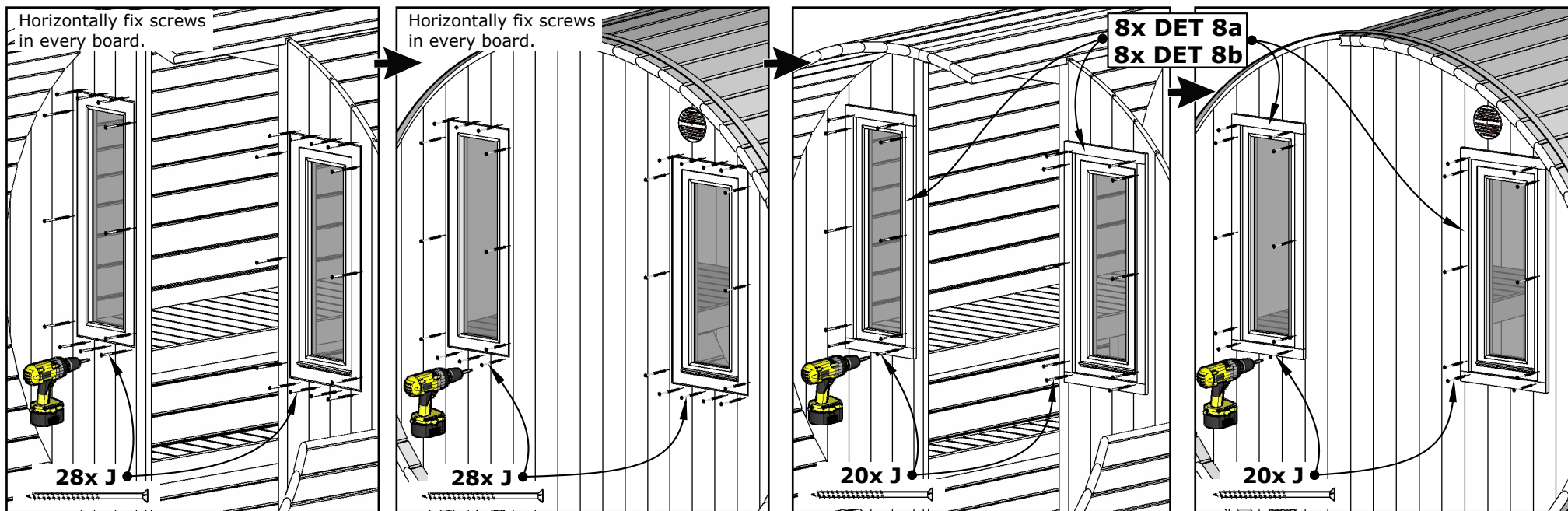
(I26-TKE-PK-018)



# Sauna 280, Ø226

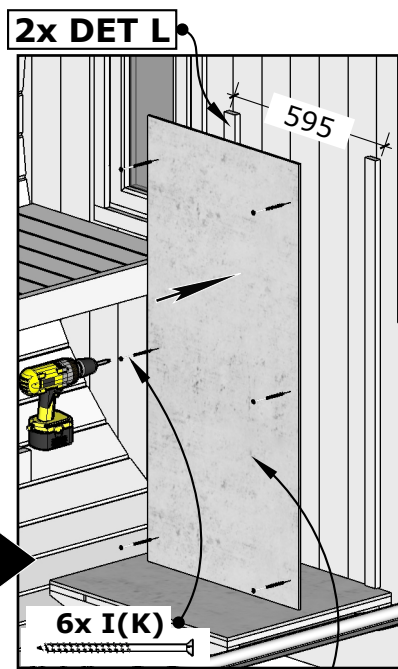
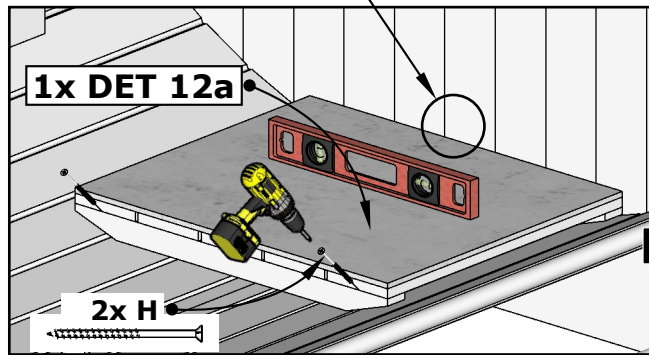
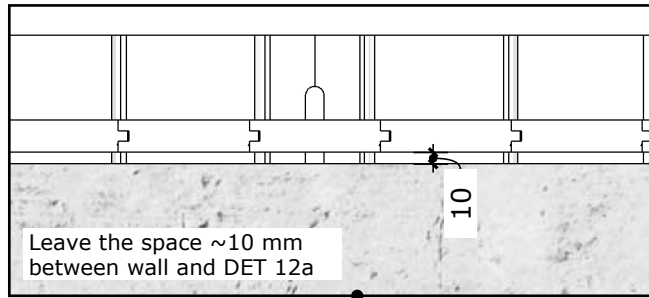


I

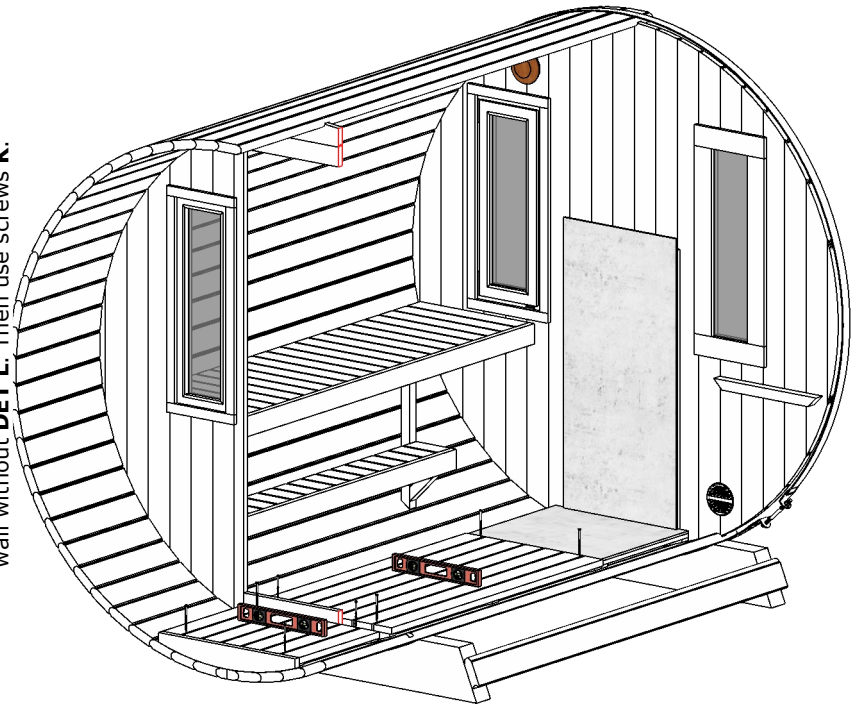


II

# Sauna 280, Ø226

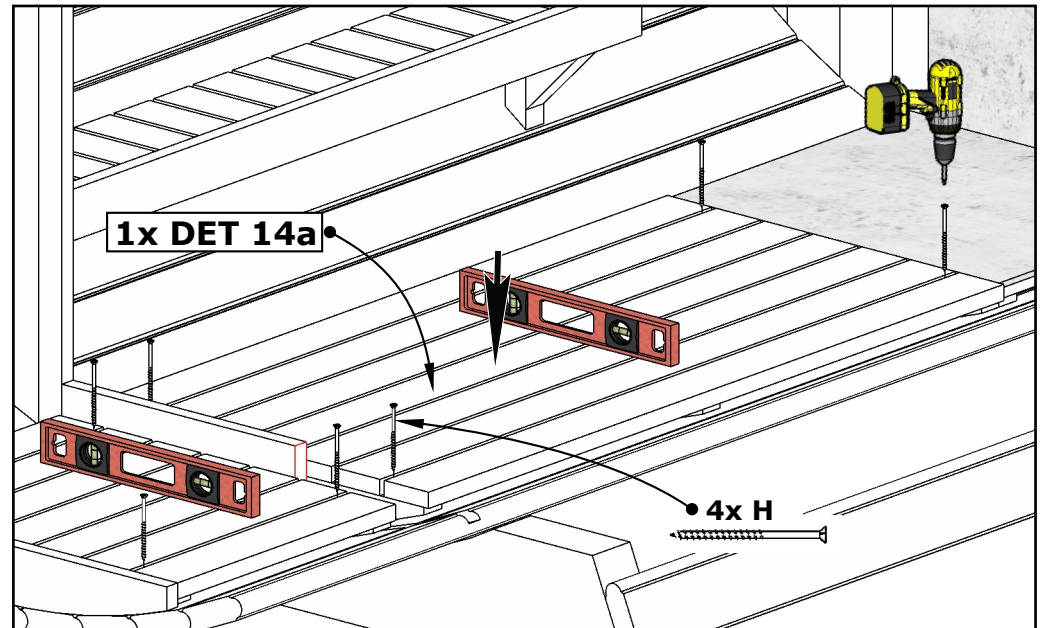
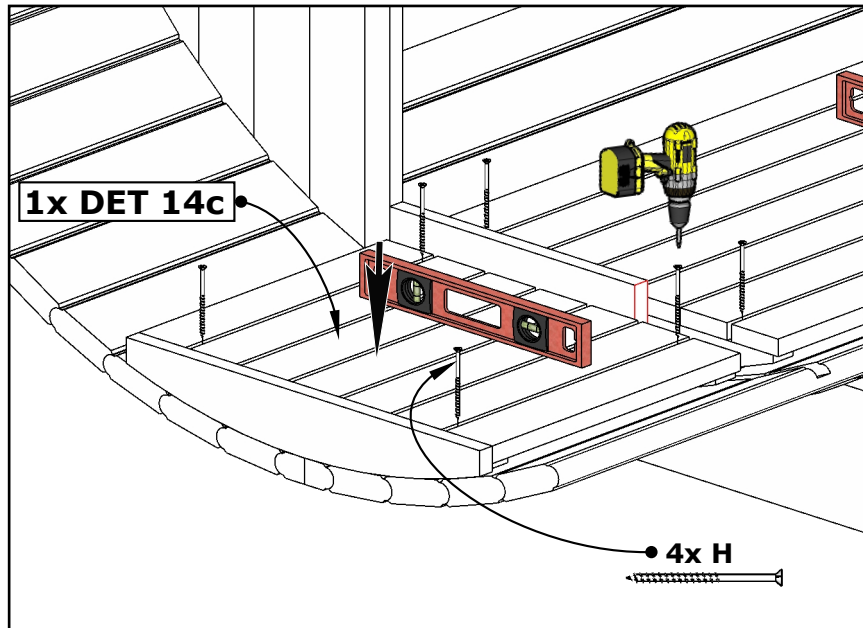


If Your sauna equipped with electrical heater, fix DET 12 b directly to the wall without DET L. Then use screws K.



I

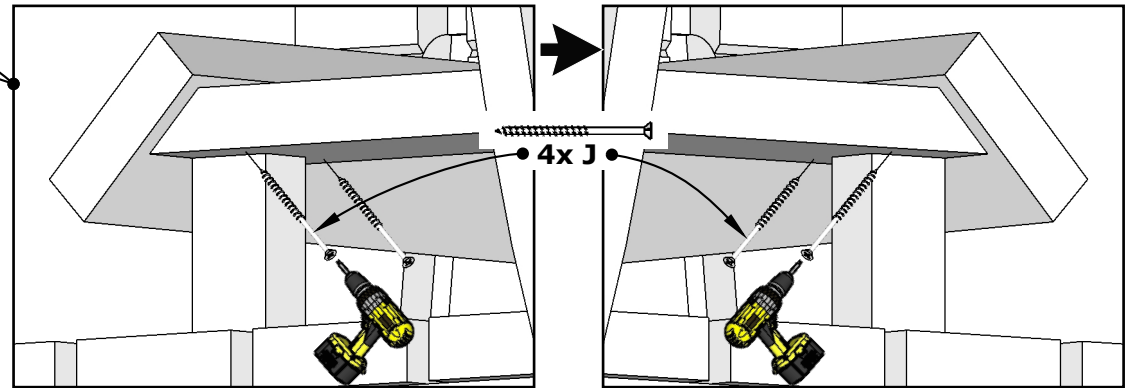
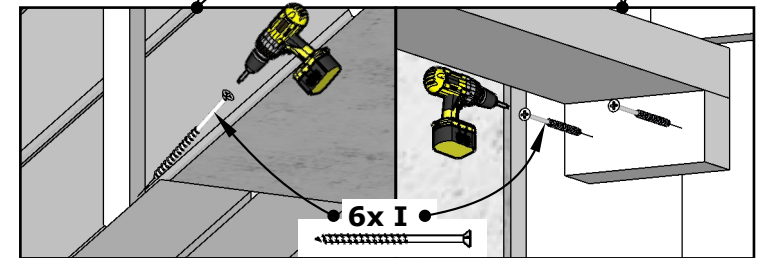
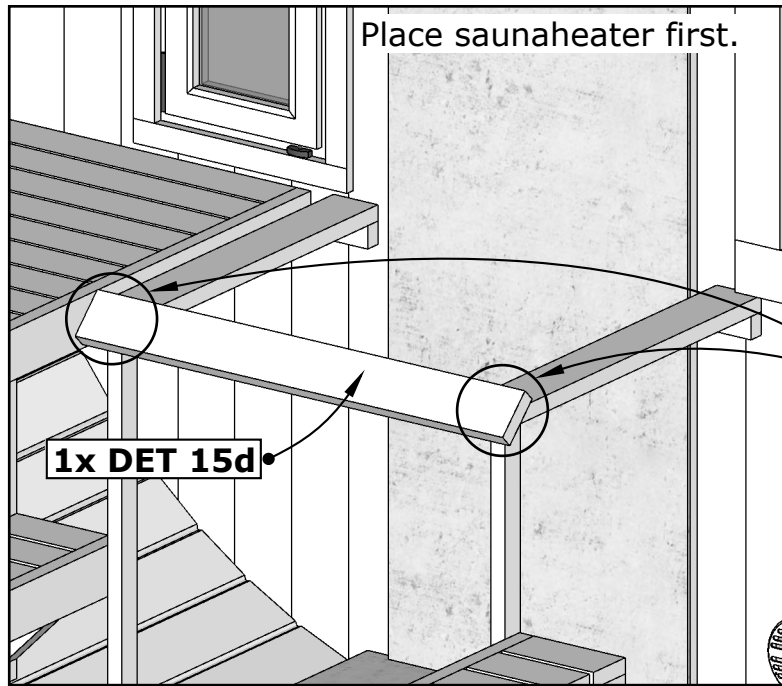
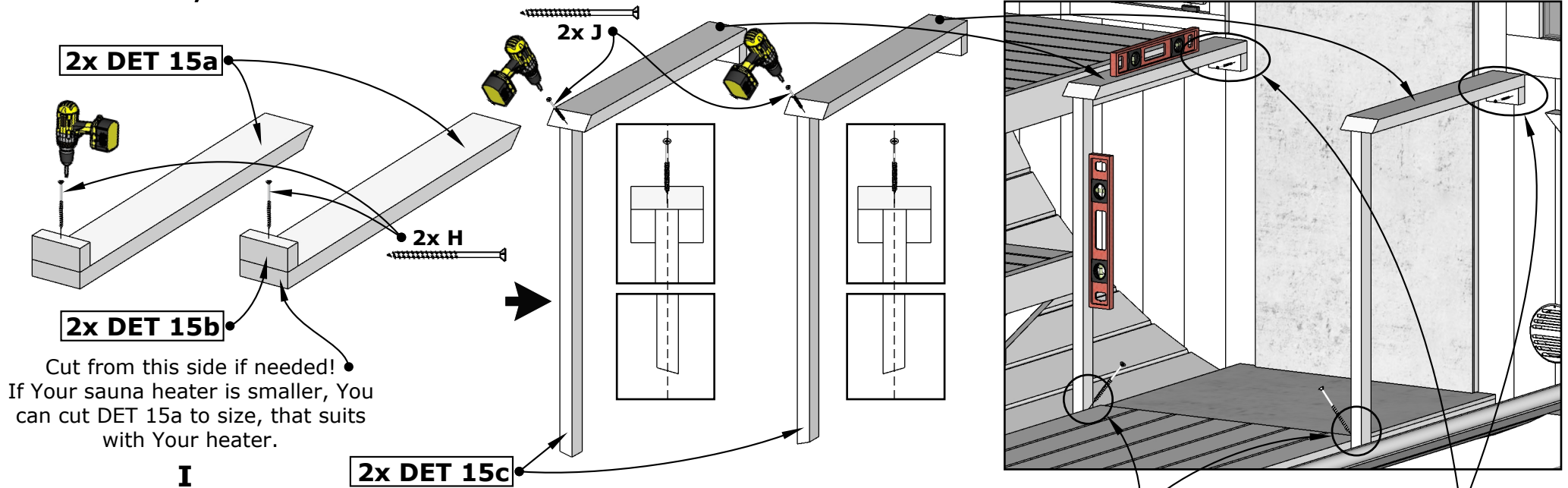
1x DET 12b



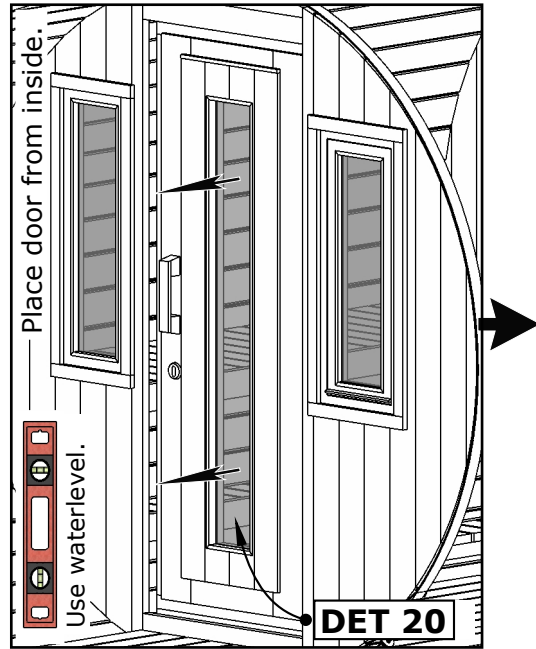
12. II

(I26-TKE-PK-018)

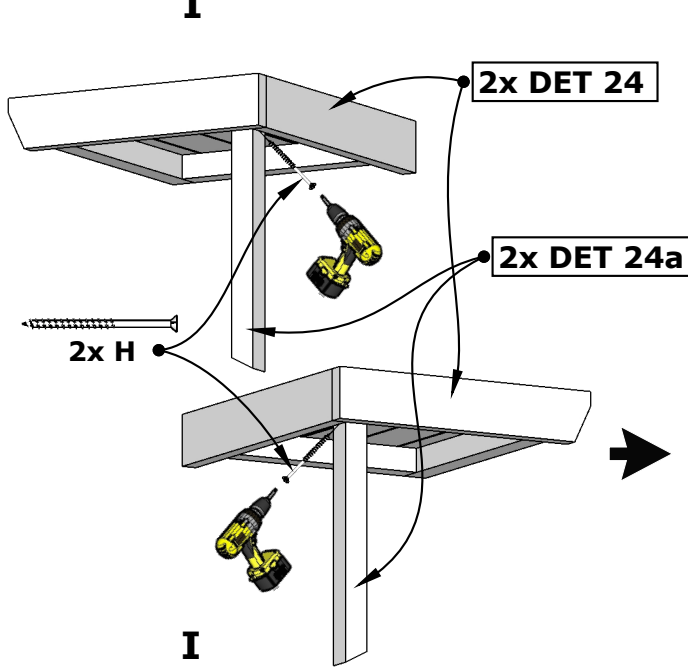
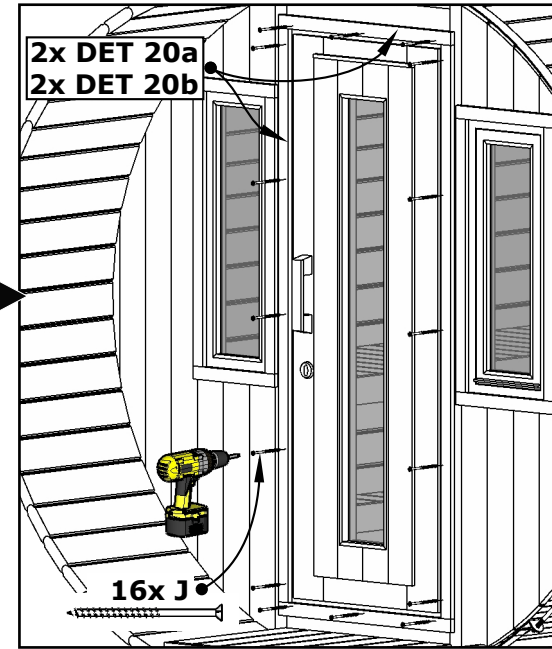
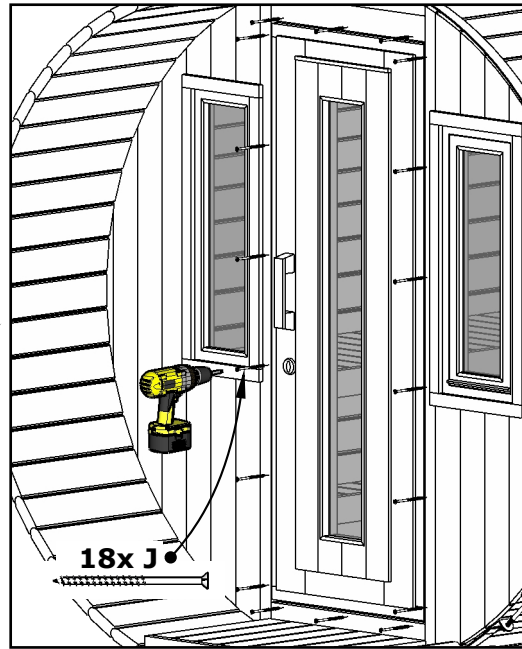
# Sauna 280, Ø226



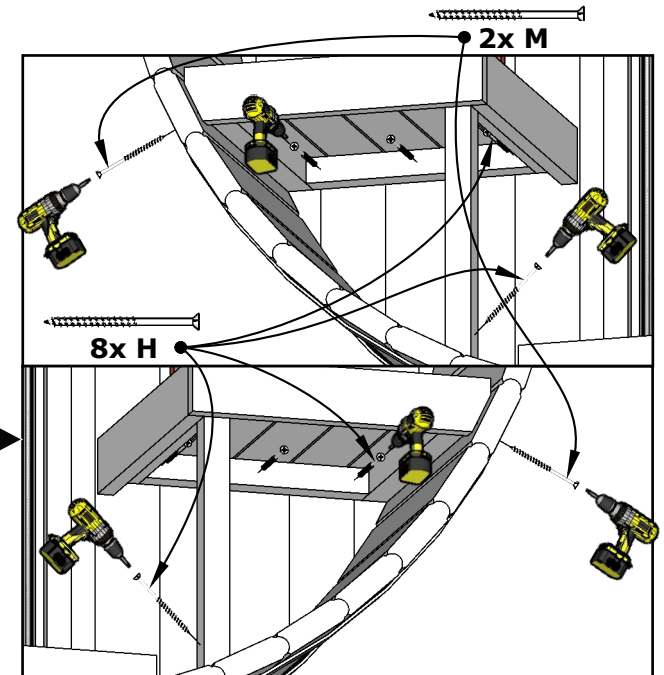
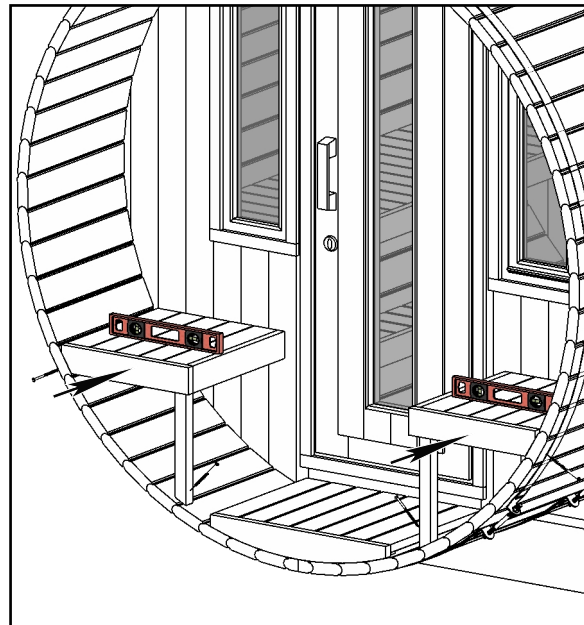
# Sauna 280, Ø226



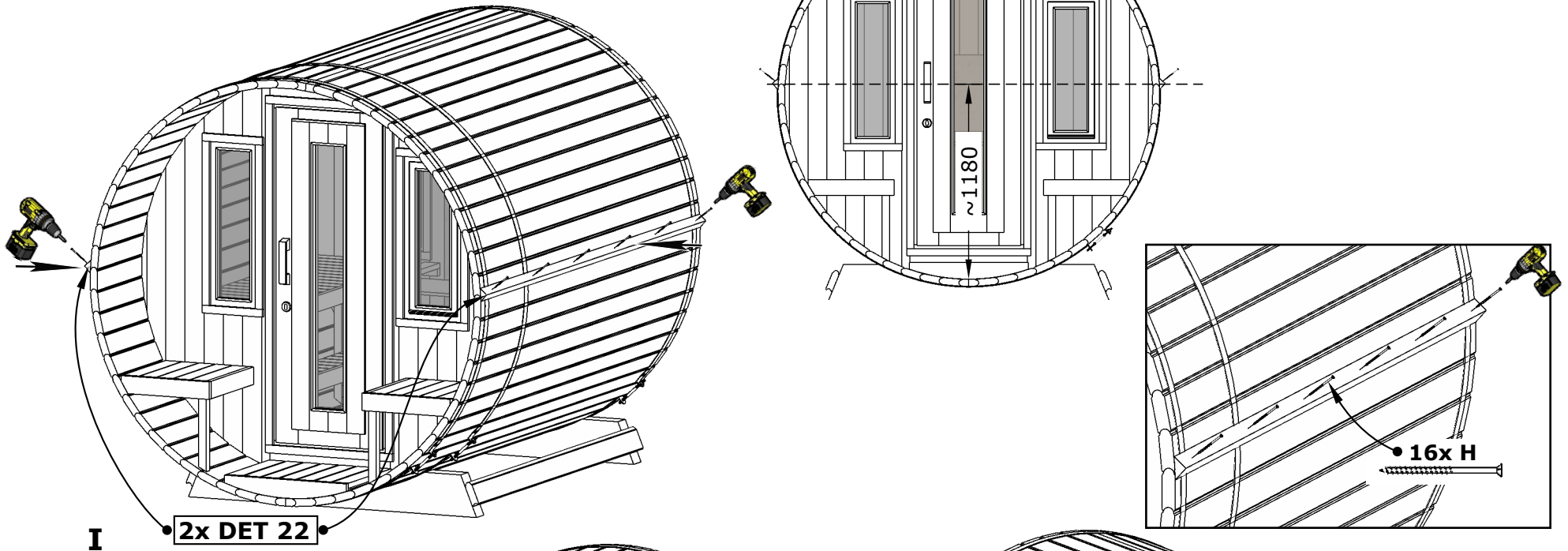
**I**



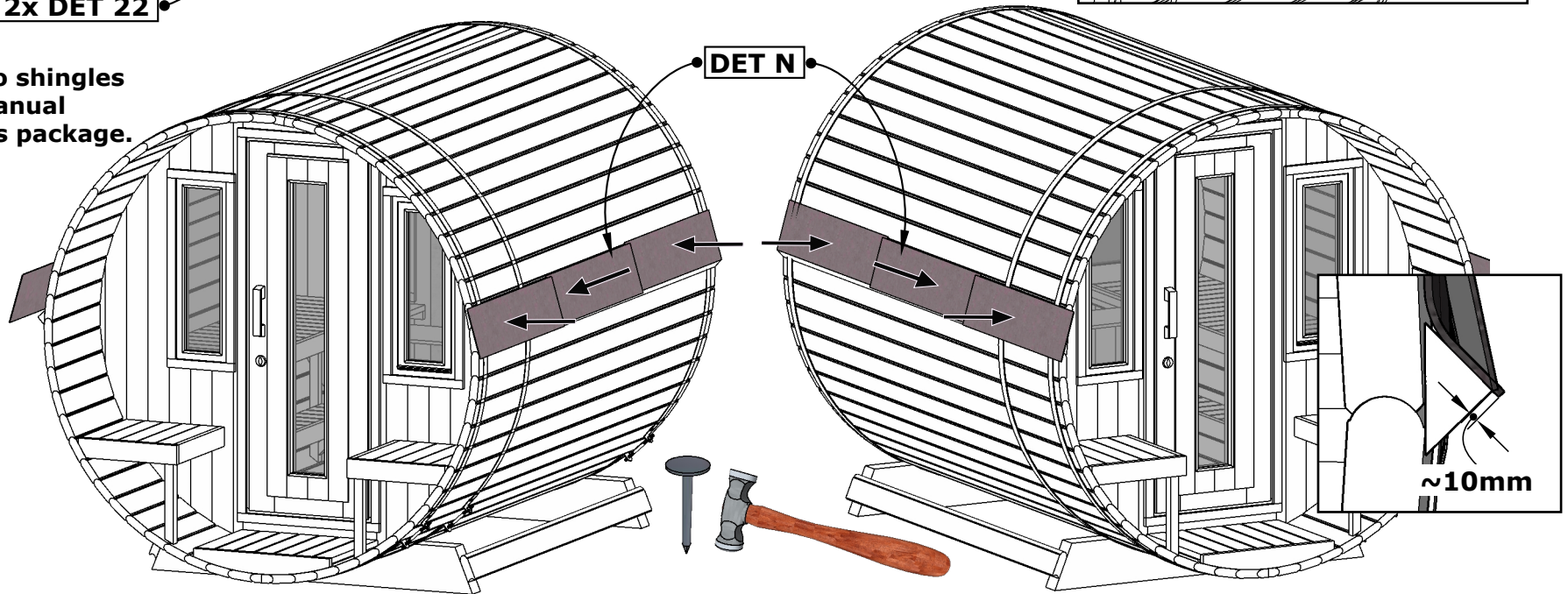
**I**



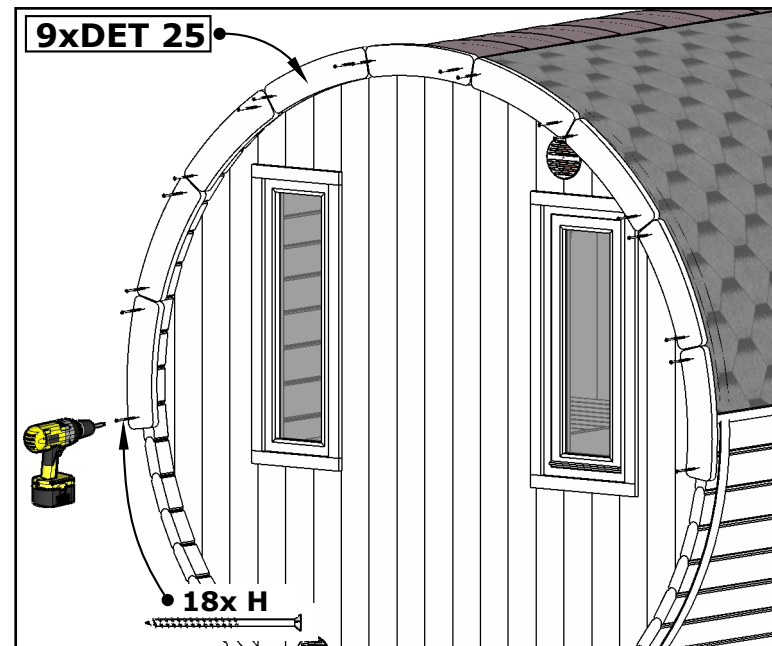
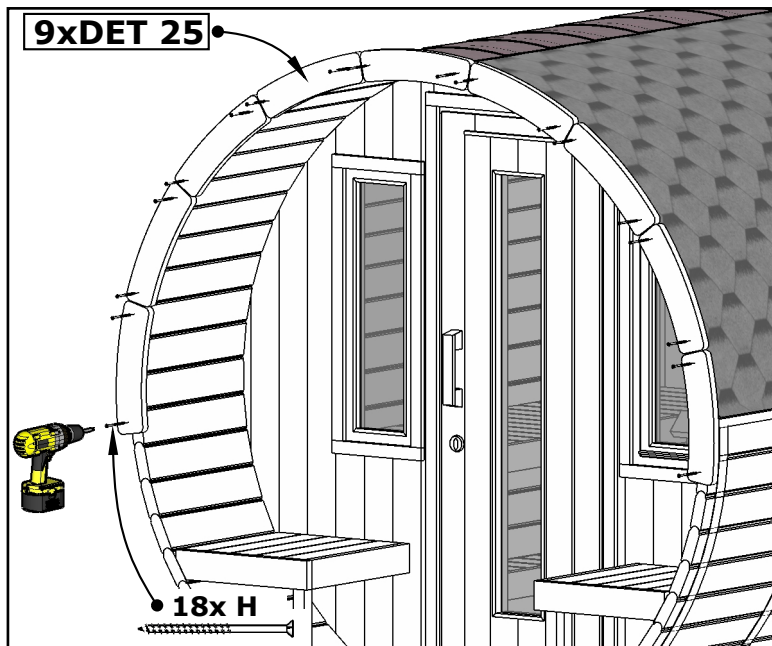
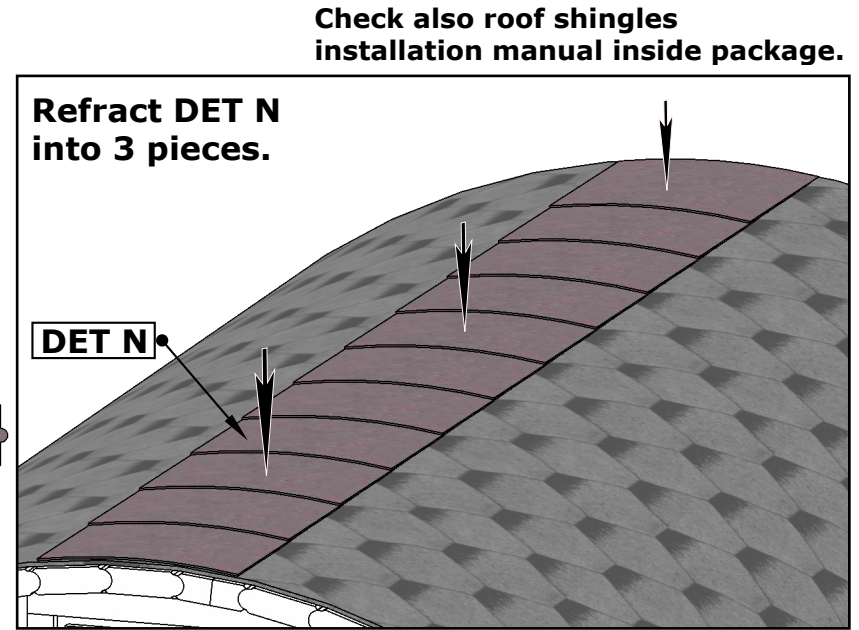
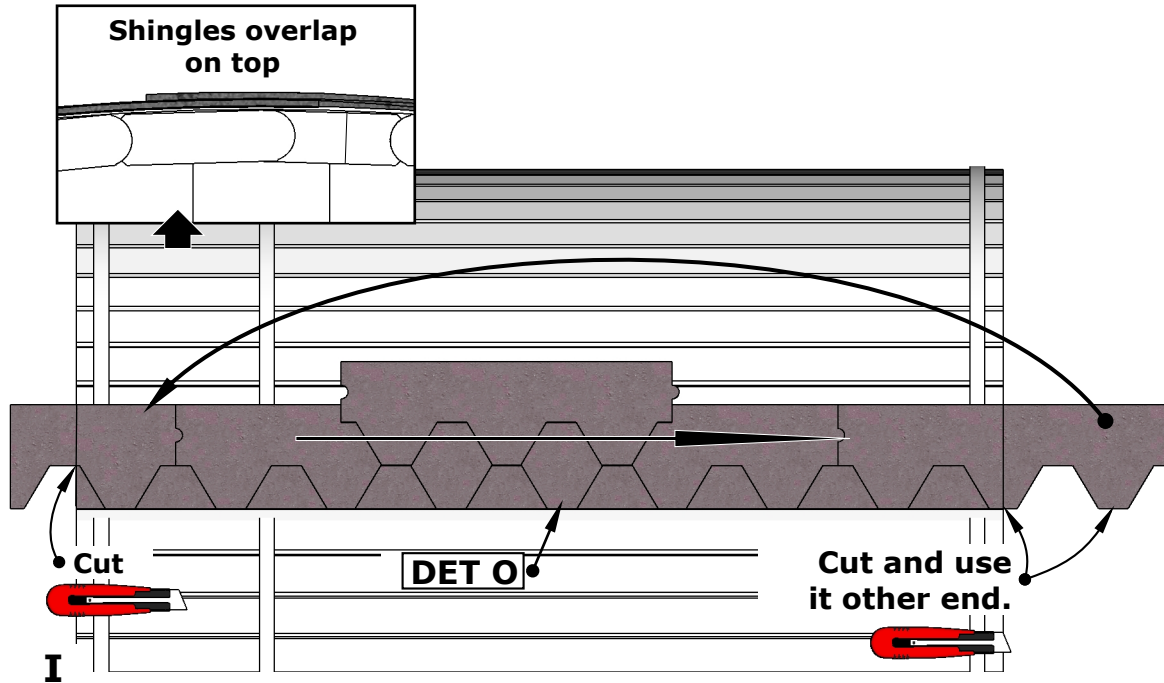
# Sauna 280, Ø226



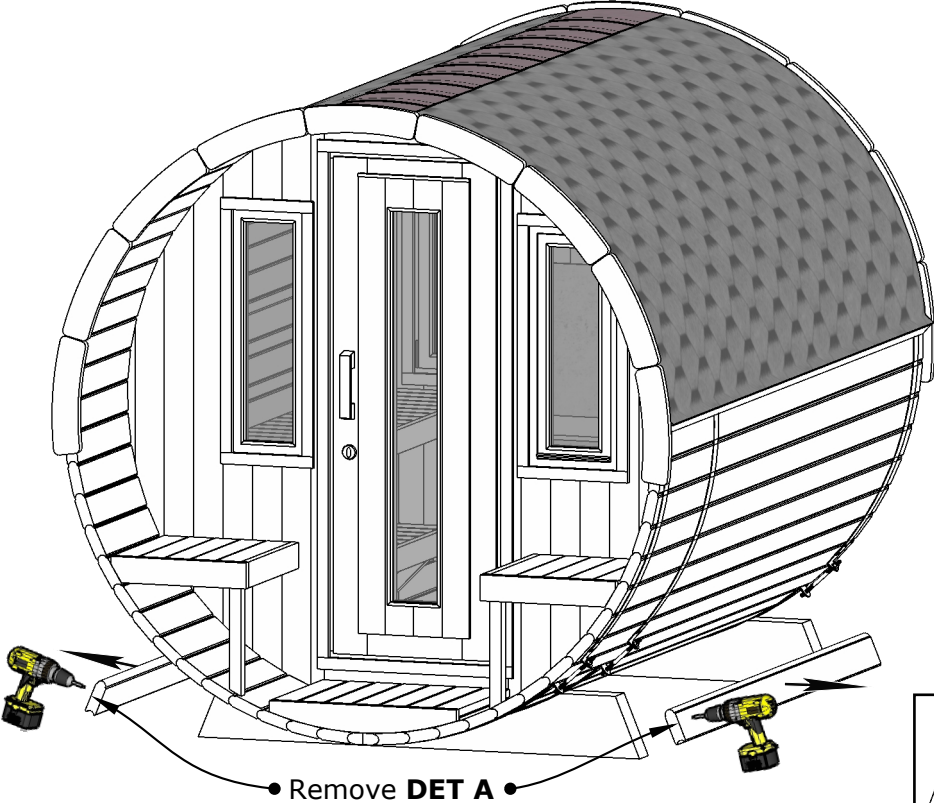
**NB! Check also shingles installation manual inside shingles package.**



# Sauna 280, Ø226



Sauna 280, Ø226



NB! Backrests are optional!

