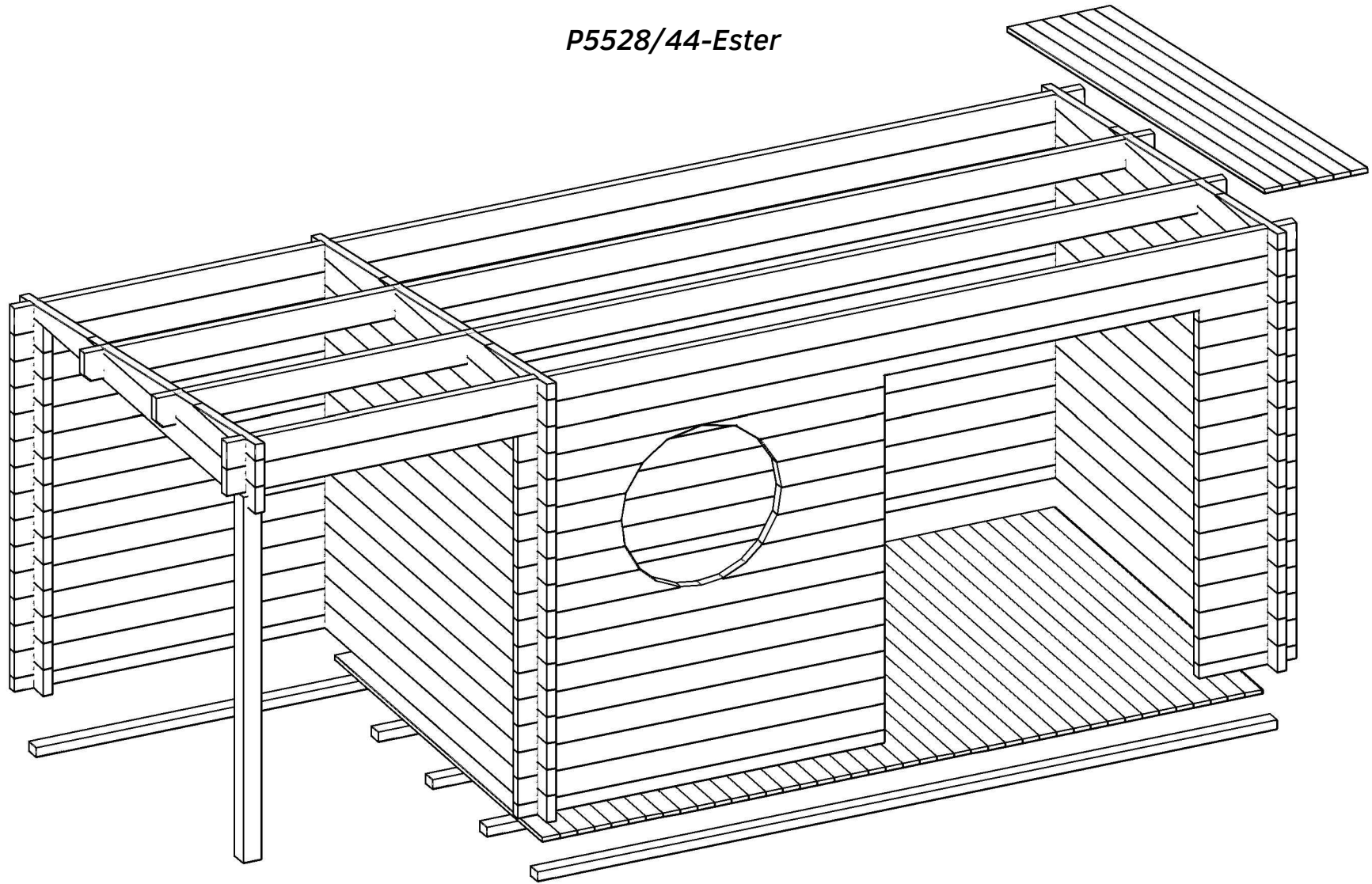
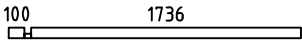
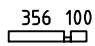
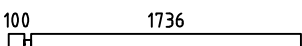
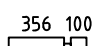
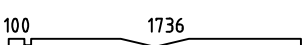
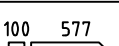
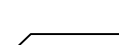
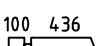
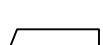
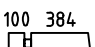
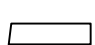
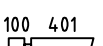
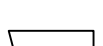
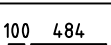
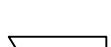
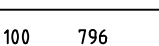
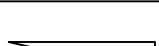
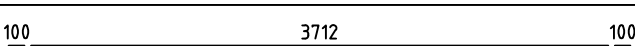
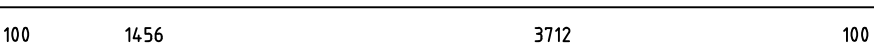
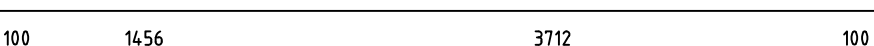
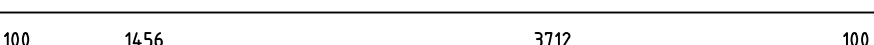
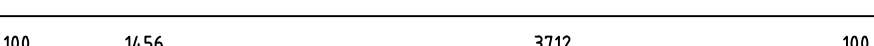
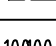
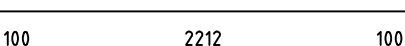
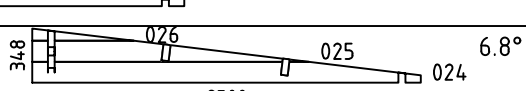


Ester

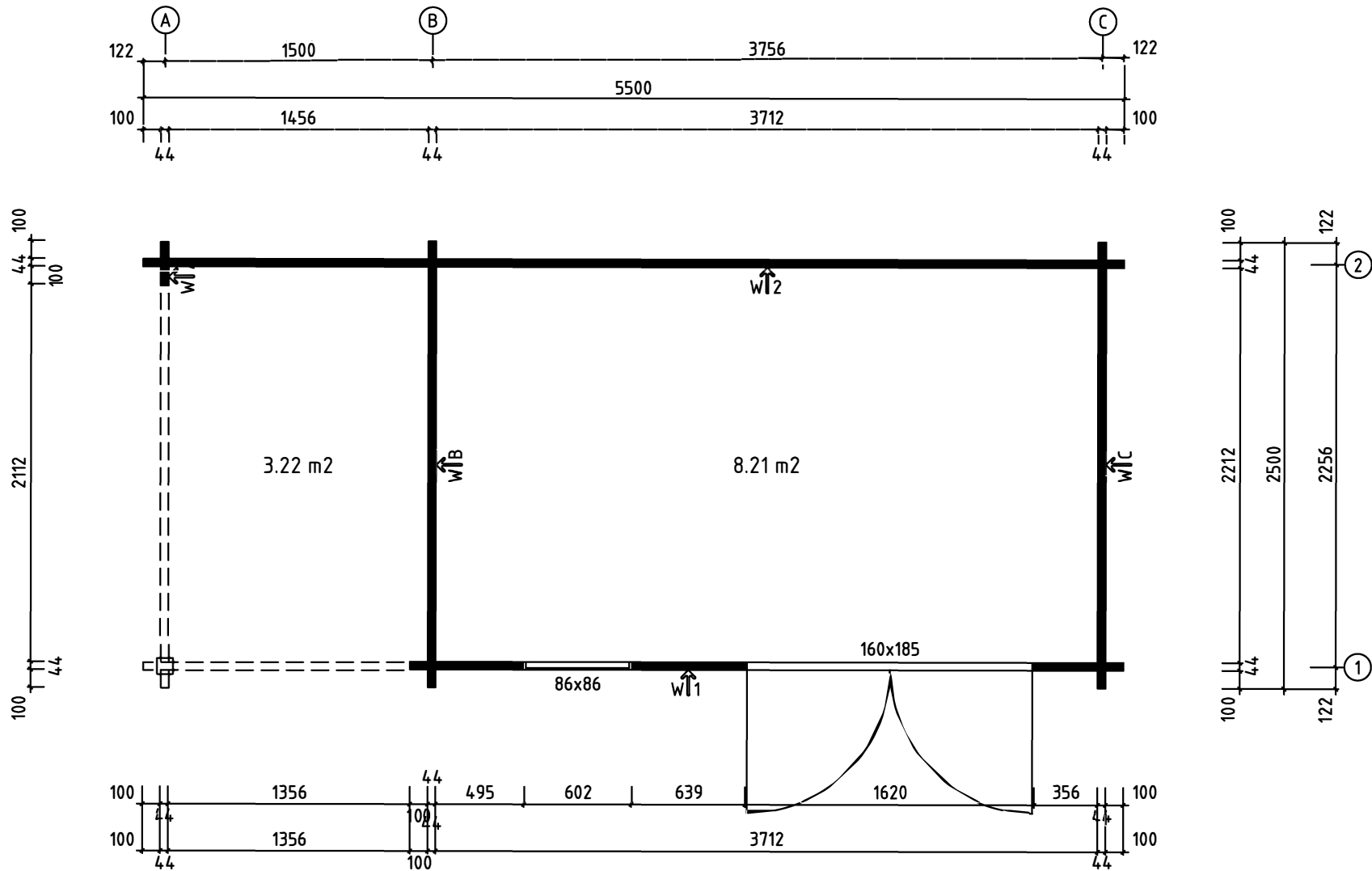
P5528/44-Ester



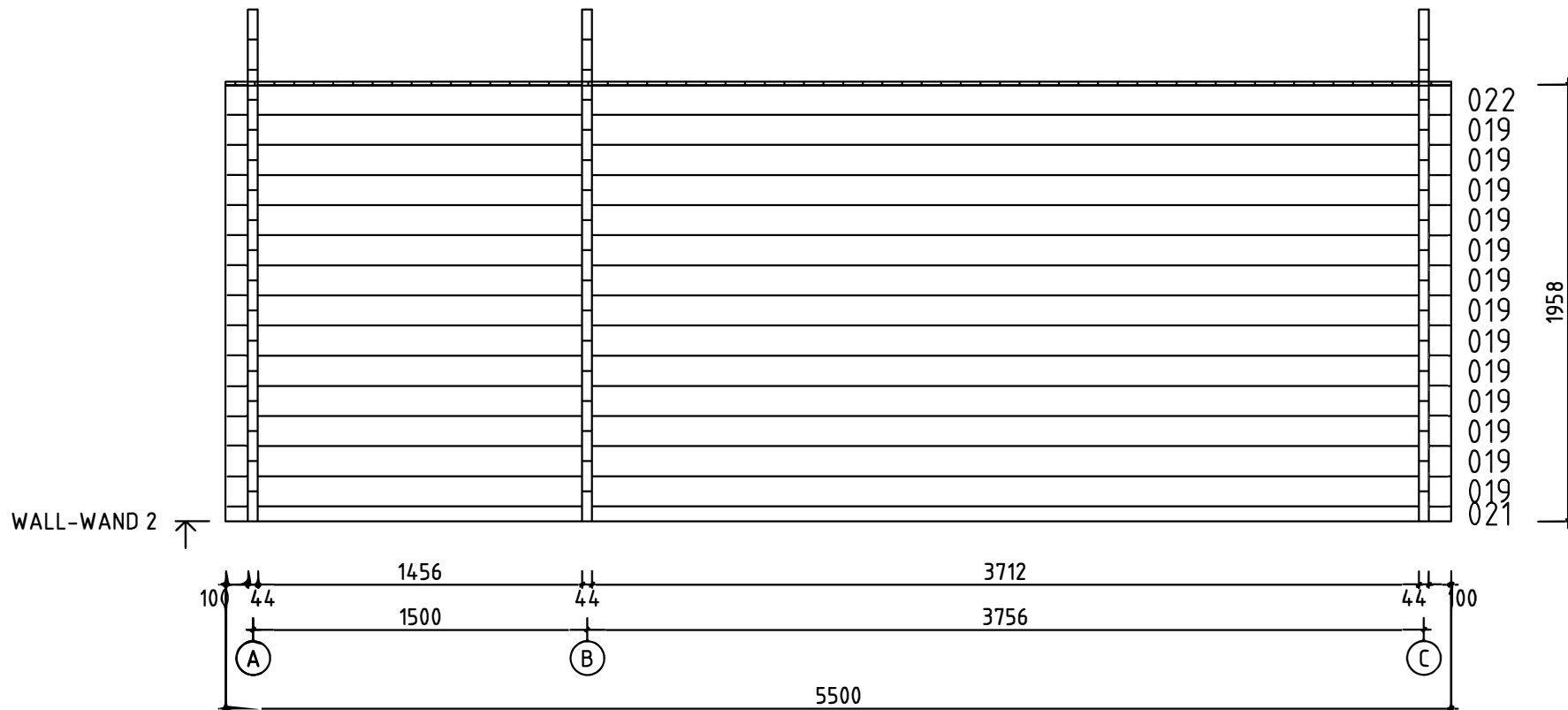
| Pos | Specification-Spezifikation-Specificatie MariaRondo44C_Lauren 44C | St. | Profile (mm) | Length (mm) |
|------|--|------|-----------------|----------------|
| 001 |  | 1 | 44x68 | 1880 |
| 002 |  | 1 | 44x68 | 500 |
| 003 |  | 6 | 44x135 | 1880 |
| 004 |  | 13 | 44x135 | 500 |
| 005 |  | 1 | 44x135 | 1880 |
| 006 |  | 1 | 44x135 | 721 |
| 007 |  | 1 | 44x135 | 721 |
| 008 |  | 1 | 44x135 | 580 |
| 009 |  | 1 | 44x135 | 580 |
| 010 |  | 1 | 44x135 | 528 |
| 011 |  | 1 | 44x135 | 528 |
| 012 |  | 1 | 44x135 | 545 |
| 013 |  | 1 | 44x135 | 545 |
| 014 |  | 1 | 44x135 | 628 |
| 015 |  | 1 | 44x135 | 628 |
| 016 |  | 1 | 44x135 | 940 |
| 017 |  | 1 | 44x135 | 940 |
| 018 |  | 1 | 44x135 | 4000 |
| 019 |  | 14 | 44x135 | 5500 |
| 020 |  | 1 | 44x134 | 5500 |
| 021 |  | 1 | 44x68 | 5500 |
| 022 |  | 1 | 44x134 | 5500 |
| 023 |  | 14 | 44x135 | 244 |
| 027 |  | 28 | 44x135 | 2500 |
| WA-1 |  | 1 | | |
| Kood | Materjal | File | Leht 1/3 | |

| Pos | Specification-Spezifikation-Specificatie MariaRondo44C_Lauren 44C | St. | Profile (mm) | Length (mm) |
|-------------------------|---|------|-----------------|----------------|
| WB-1 | | 1 | | |
| WC-1 | | 1 | | |
| FB1 | FOUNDATION BEAM-FUND.BALKEN-FUND.BALK | 1 | 70x45 | 5300 |
| FB2 | FOUNDATION BEAM-FUND.BALKEN-FUND.BALK | 4 | 70x45 | 3800 |
| PR1 | Purlin-Dakbalk-Dachpfette | 2 | 44x144 | 5500 |
| VB-1 | Floor board-Fussbodenbrett-Vloerplank | 43 | 88x18 | 2202 |
| DP-1 | Roof board-Dachbrett-Dakplank | 63 | 88x18 | 2750 |
| | -POST 85x85 | 1 | | 1935 |
| | Base Board-Fussbleiste-Plinten 18x40x3000 | 4 | 18x40 | 12rmt. |
| L-1 | Eave Board-Traufenblende-Afdeklank | 2 | 18x120 | 2790 |
| L-2 | Facia Board-Giebelblende-Gevelplank | 4 | 18x120 | 2768 |
| | Storm Brace-Sturmleiste | 2 | 18x40 | 1820 |
| | Storm Brace-Sturmleiste | 2 | 18x40 | 2000 |
| | Adjustable foot-Stellfuß+Schrauben 5x40 4stück für Post | 1 | | |
| | Double Door Set-Doppeltür Satz-Dubbele Deur Set | 1 | | |
| | Nail-Nagel-Spijker | 510 | 1.8x40 | |
| | Ventilation Panel-Lüftungsgitter Set | 1 | | |
| | Wood Bolt set for Storm Brace-Holzschraubensatz für Sturmleisten 6x45 | 8 | | |
| W O R O U N D 825 | WINDOW 860x860 ISO | 1 | | |
| | | | | |
| | | | | |
| | | | | |
| Kood | Materjal | File | Leht | 2/3 |

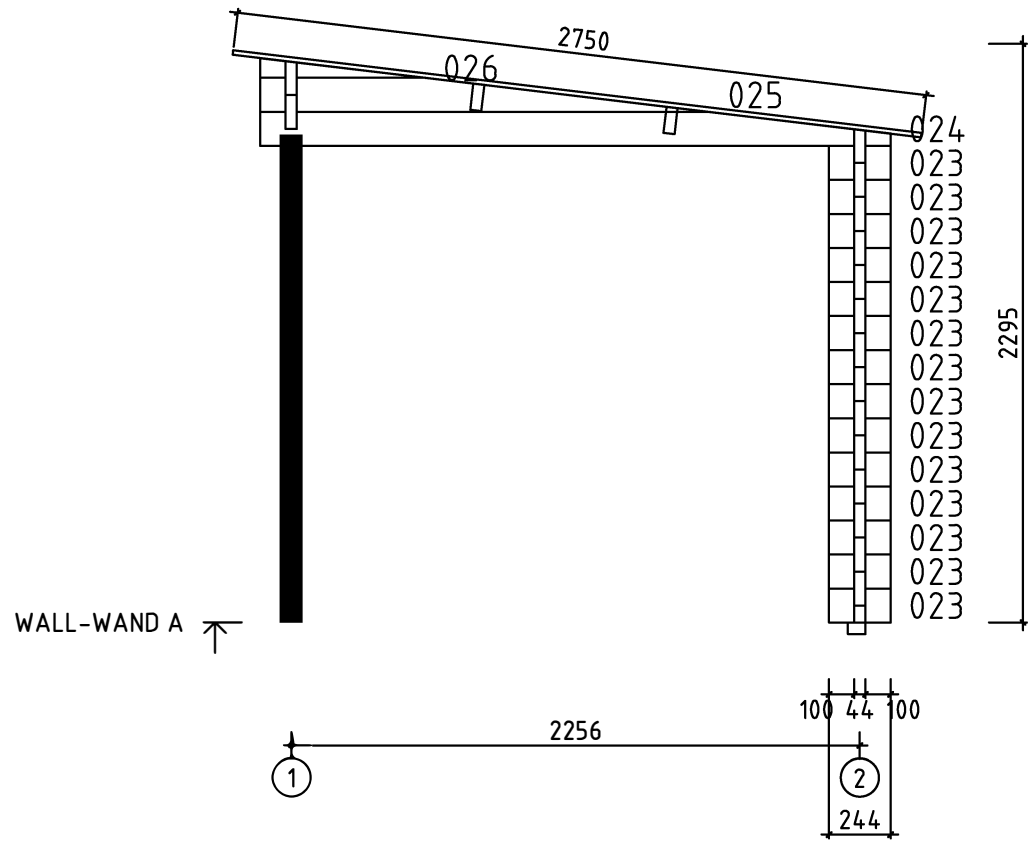
TOTAL: 11.43 m²



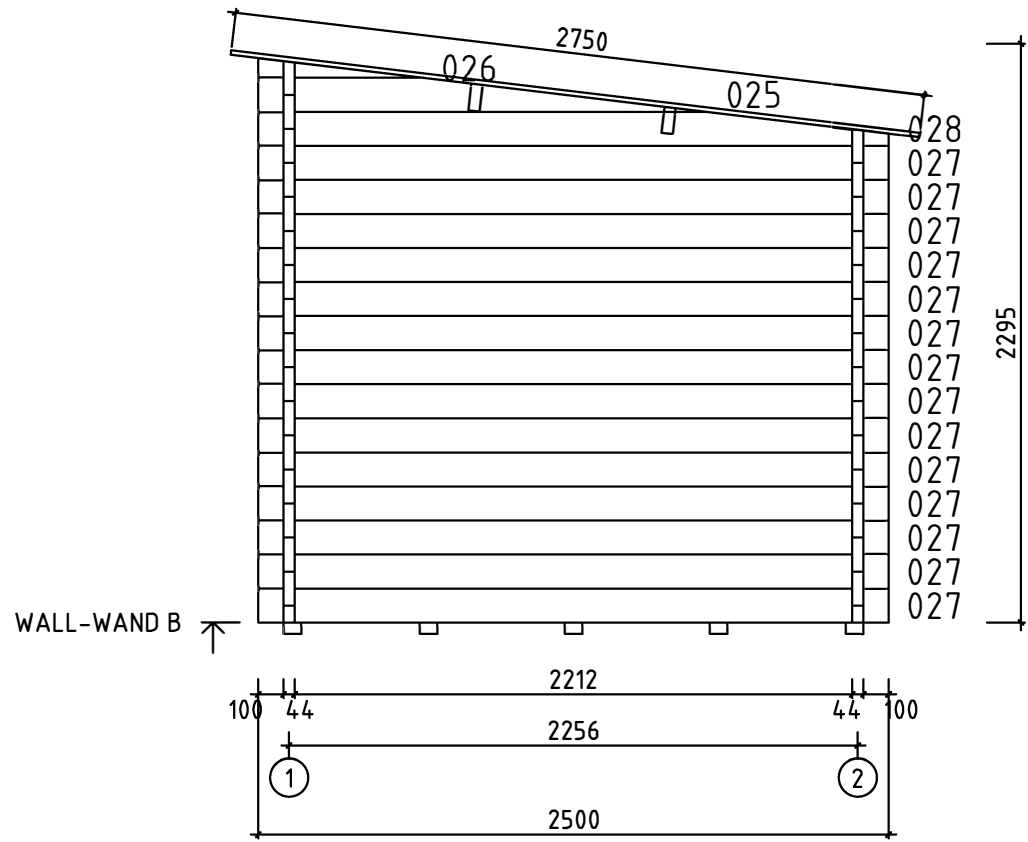
| | | | | | |
|-------|------------------|----------|----------|-------|------|
| Model | P5528/44-Ester _ | | Page | PLAN | |
| Date | 13.01.2020 | Material | 4.4x13.5 | Scale | 1:30 |
| | | | | | |



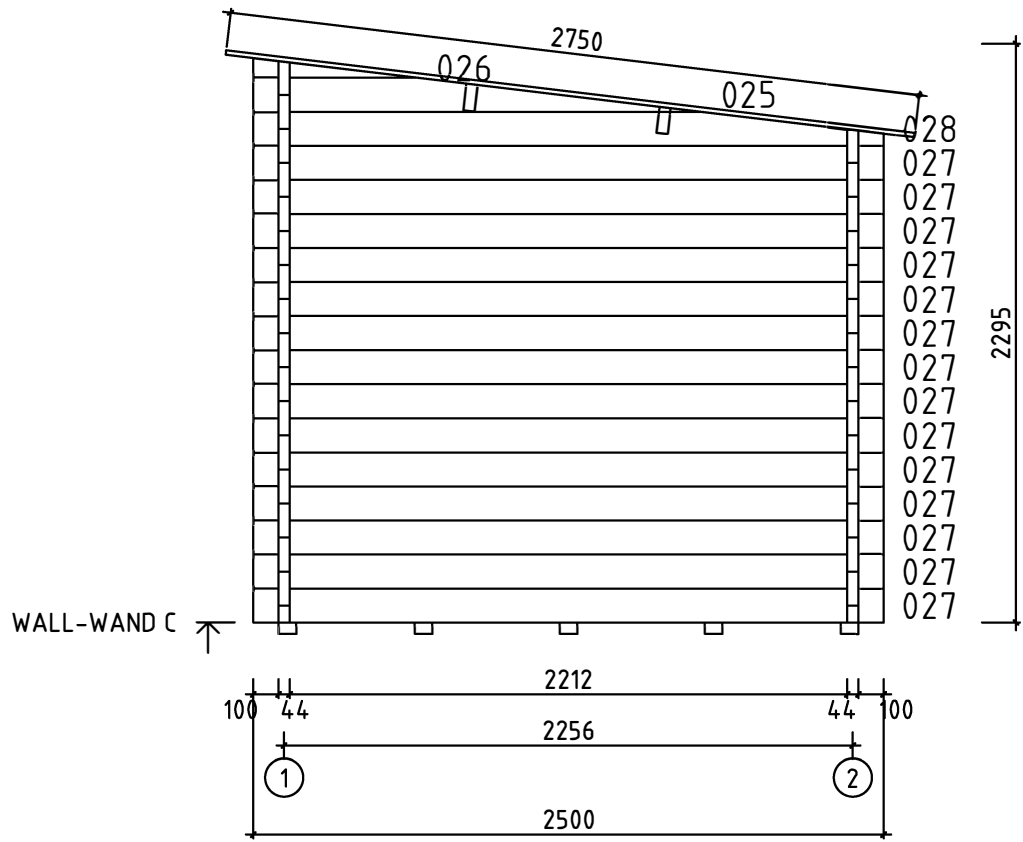
| | | | | | |
|-------|----------------|----------|----------|-------|------|
| Model | P5528/44-Ester | | Page | 8 | |
| Date | 13.01.2020 | Material | 4.4x13.5 | Scale | 1:30 |
| | | | | | |



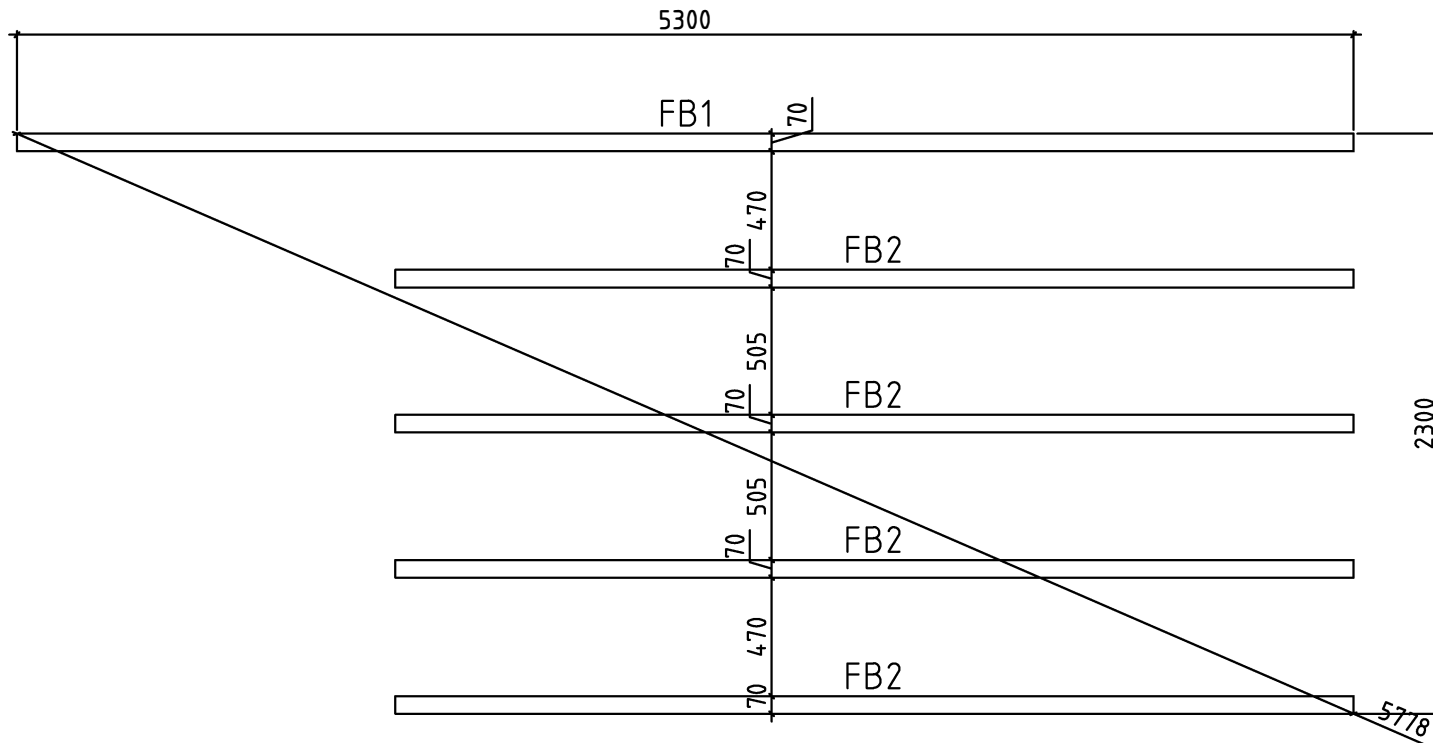
| | | | |
|-------|------------------|----------|----------|
| Model | P5528/44-Ester__ | Page | 4 |
| Date | 13.01.2020 | Material | 4.4x13.5 |
| | | Scale | 1:30 |



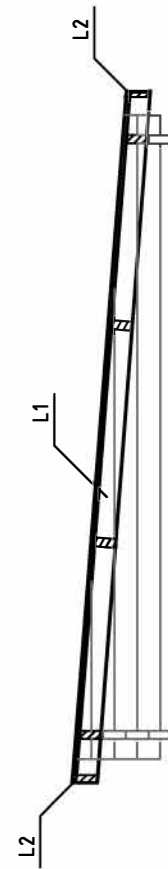
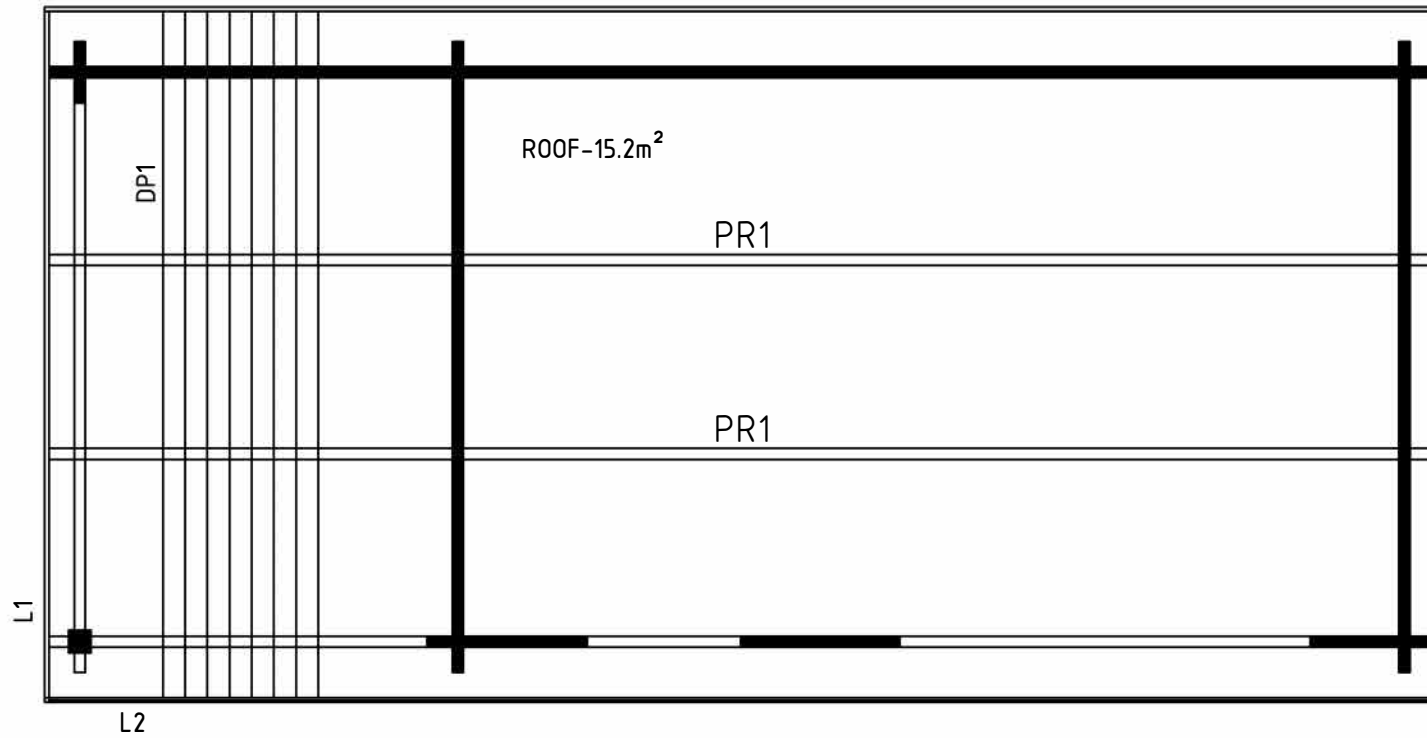
| | | | | | |
|-------|------------------|----------|----------|-------|------|
| Model | P5528/44-Ester__ | | Page | 5 | |
| Date | 13.01.2020 | Material | 4.4x13.5 | Scale | 1:30 |
| | | | | | |



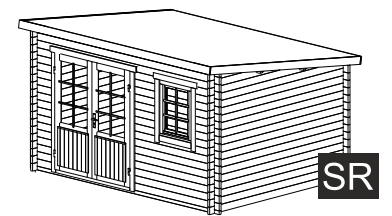
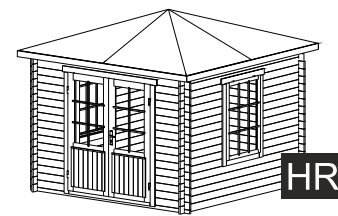
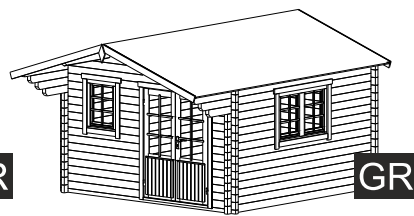
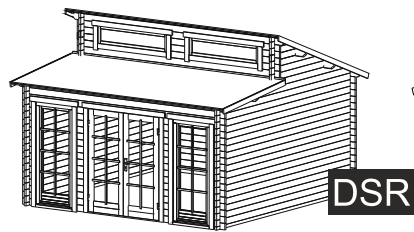
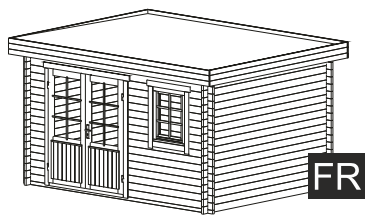
| | | | | | |
|-------|------------------|----------|----------|-------|------|
| Model | P5528/44-Ester__ | | Page | 6 | |
| Date | 13.01.2020 | Material | 4.4x13.5 | Scale | 1:30 |
| | | | | | |



| | | | | | |
|-------|------------------|----------|----------|------------|------|
| Model | P5528/44-Ester__ | | Page | FOUNDATION | |
| Date | 13.01.2020 | Material | 4.4x13.5 | Scale | 1:30 |
| | | | | | |



| | | | | | |
|-------|------------------|----------|----------|-------|------|
| Model | P5528/44-Ester__ | | Page | ROOF | |
| Date | 13.01.2020 | Material | 4.4x13.5 | Scale | 1:30 |
| | | | | | |



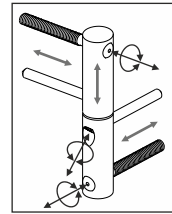
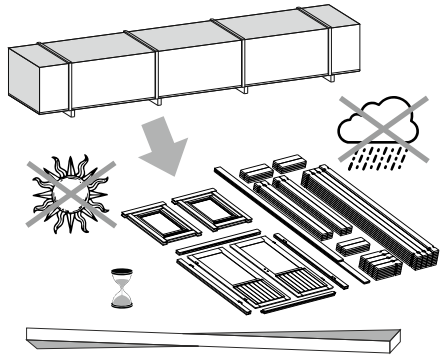
FR

DSR

GR

HR

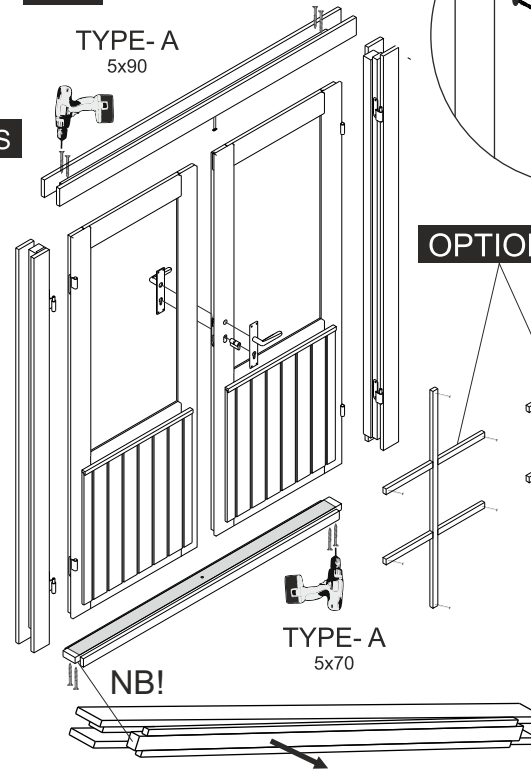
SR



ADJUSTABLE HINGES

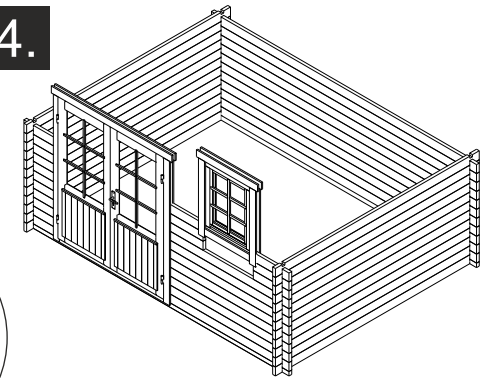
3.

TYPE- A
5x90

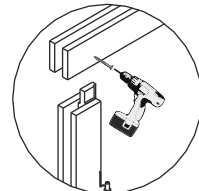
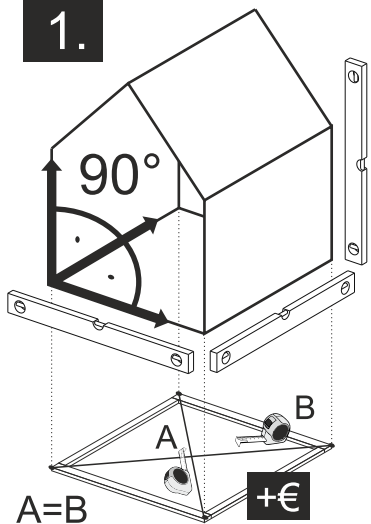


OPTIONS

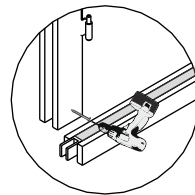
4.



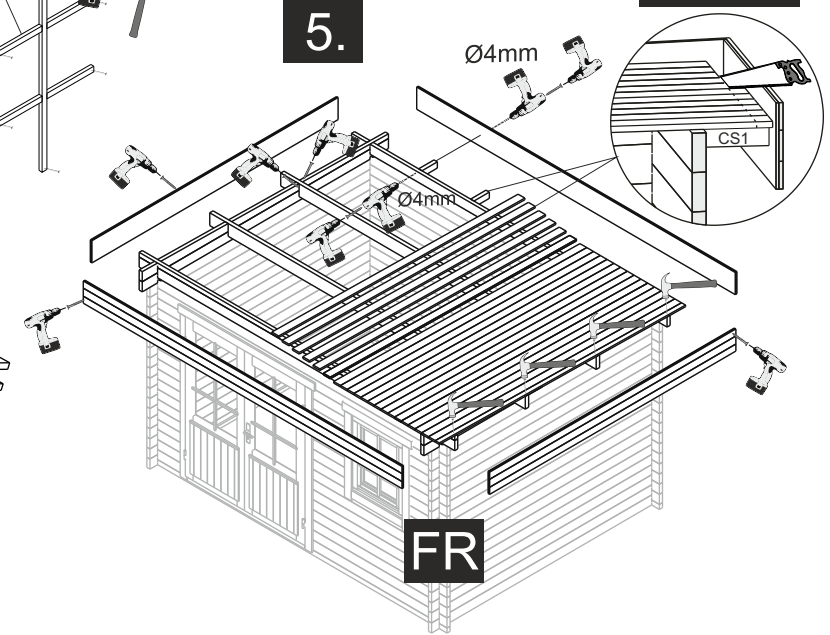
1.



TYPE- B
4x60

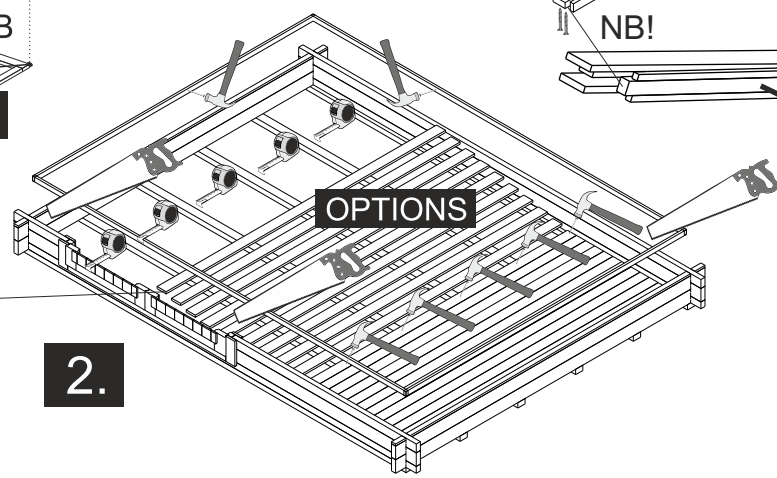


5.



OPTIONS

2.



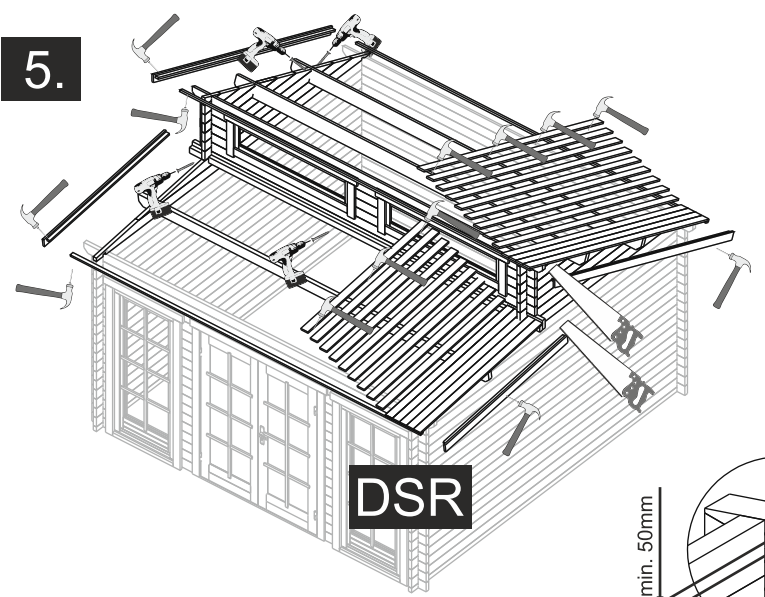
OPTIONS

NB!

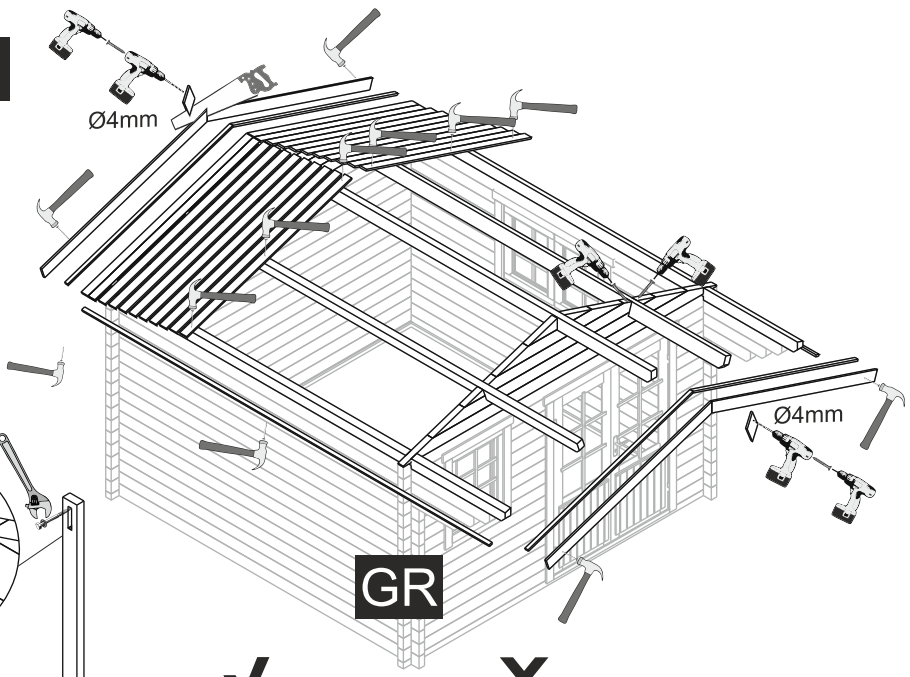
TYPE- A
5x70

The guide is illustrative. This guide is not project specification.
Der Leitfaden ist illustrativ. Dieser Leitfaden ist keine Projektspezifikation.
De gids is illustratief. Deze gids is geen projectspecificatie.

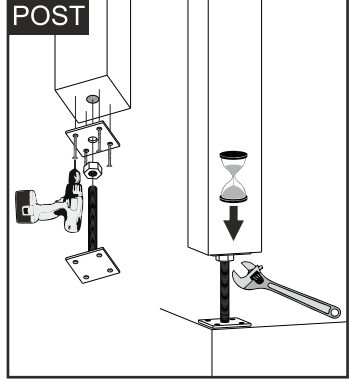
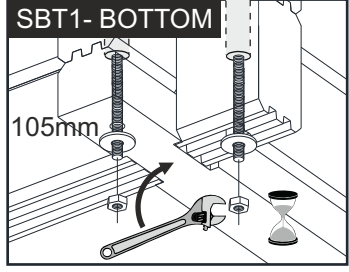
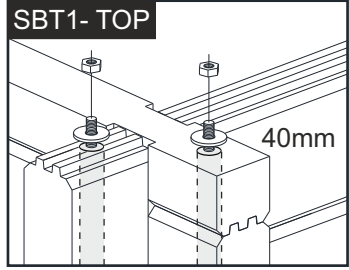
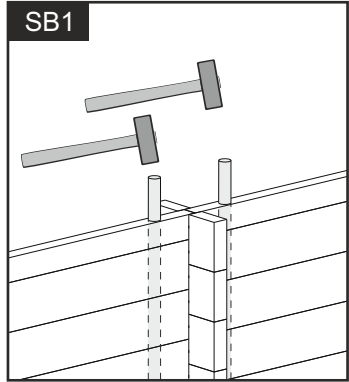
5.



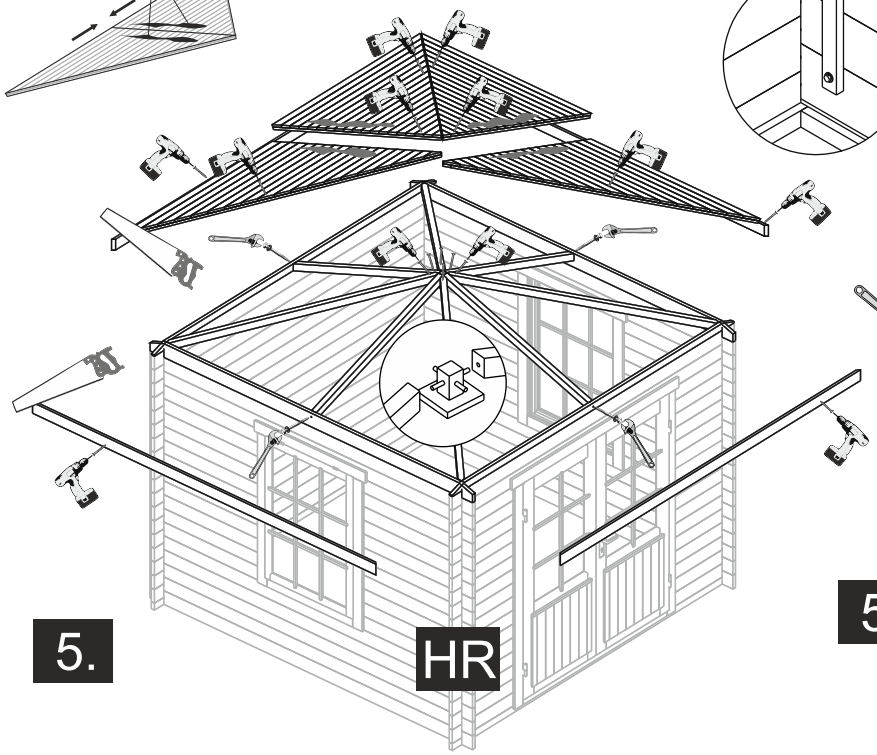
5.



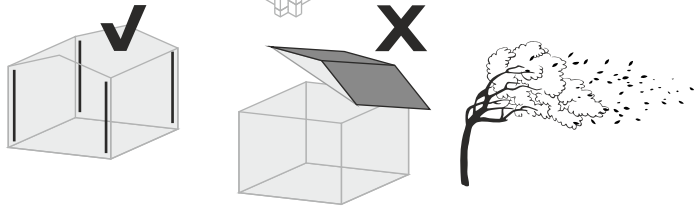
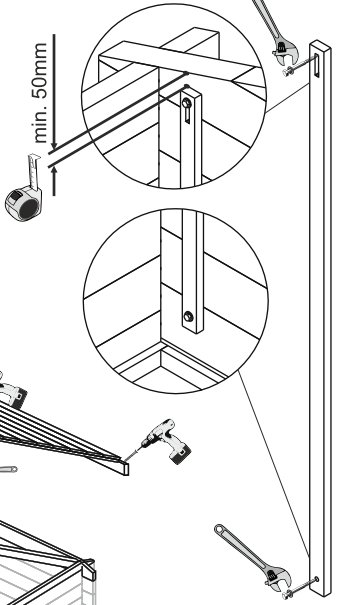
OPTIONS



NB!

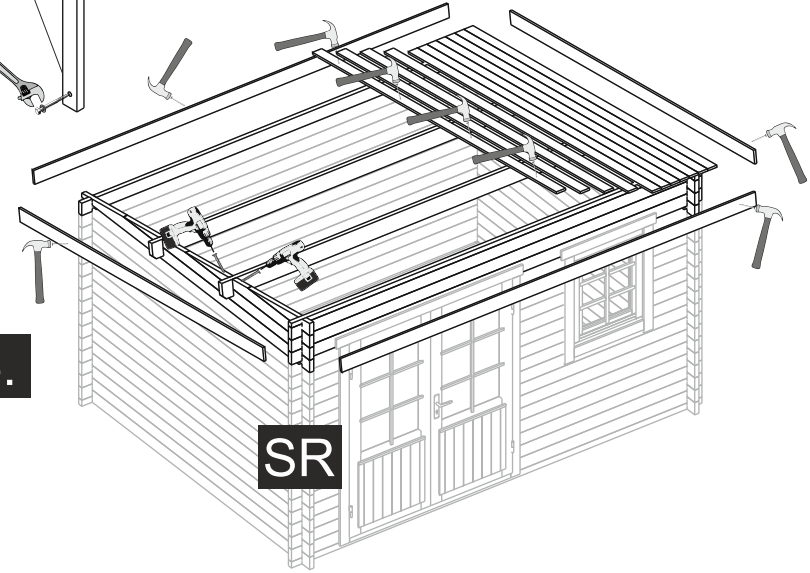


5.



OPTIONS-STORM BRACES

5.



SR