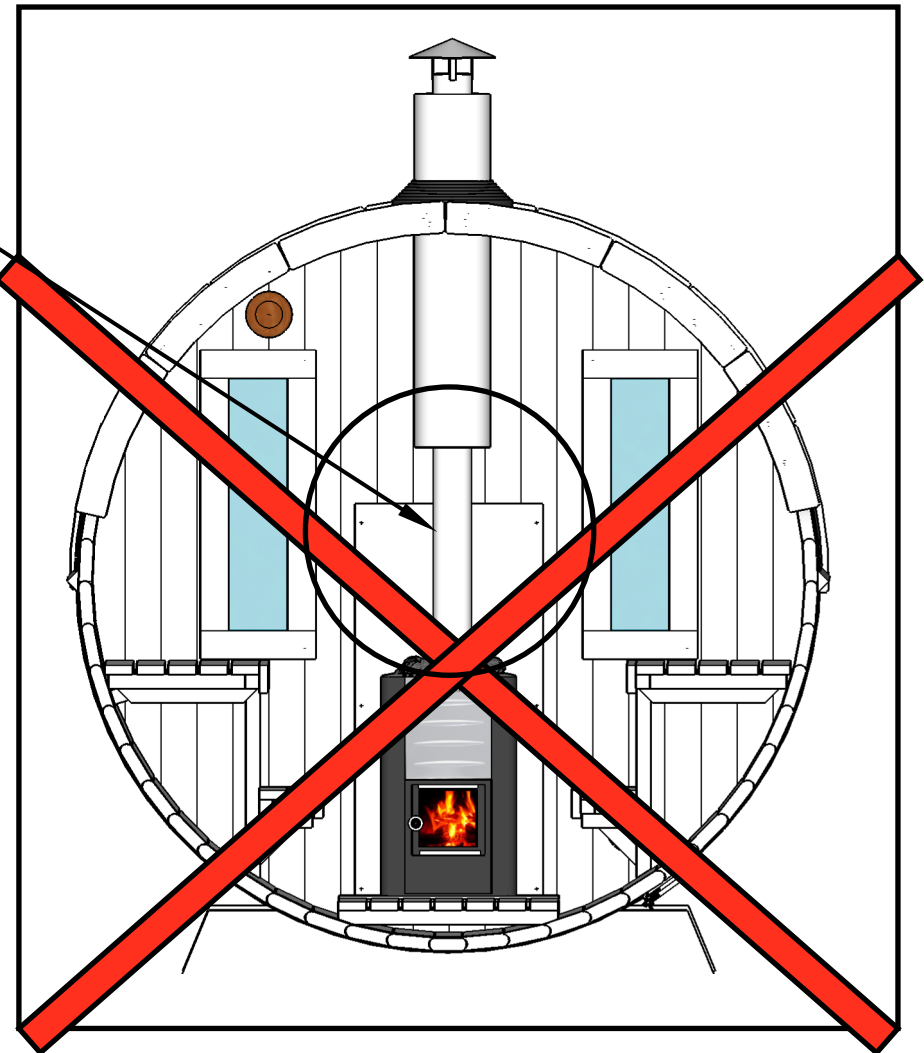
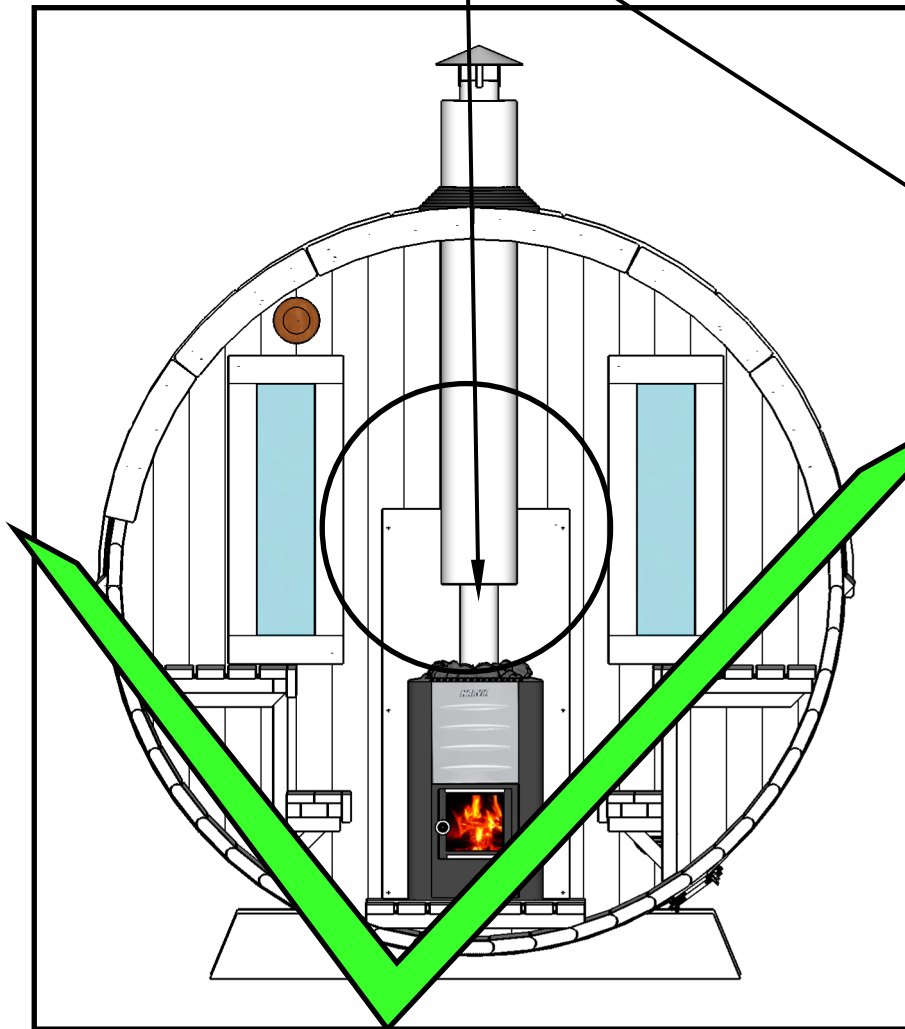
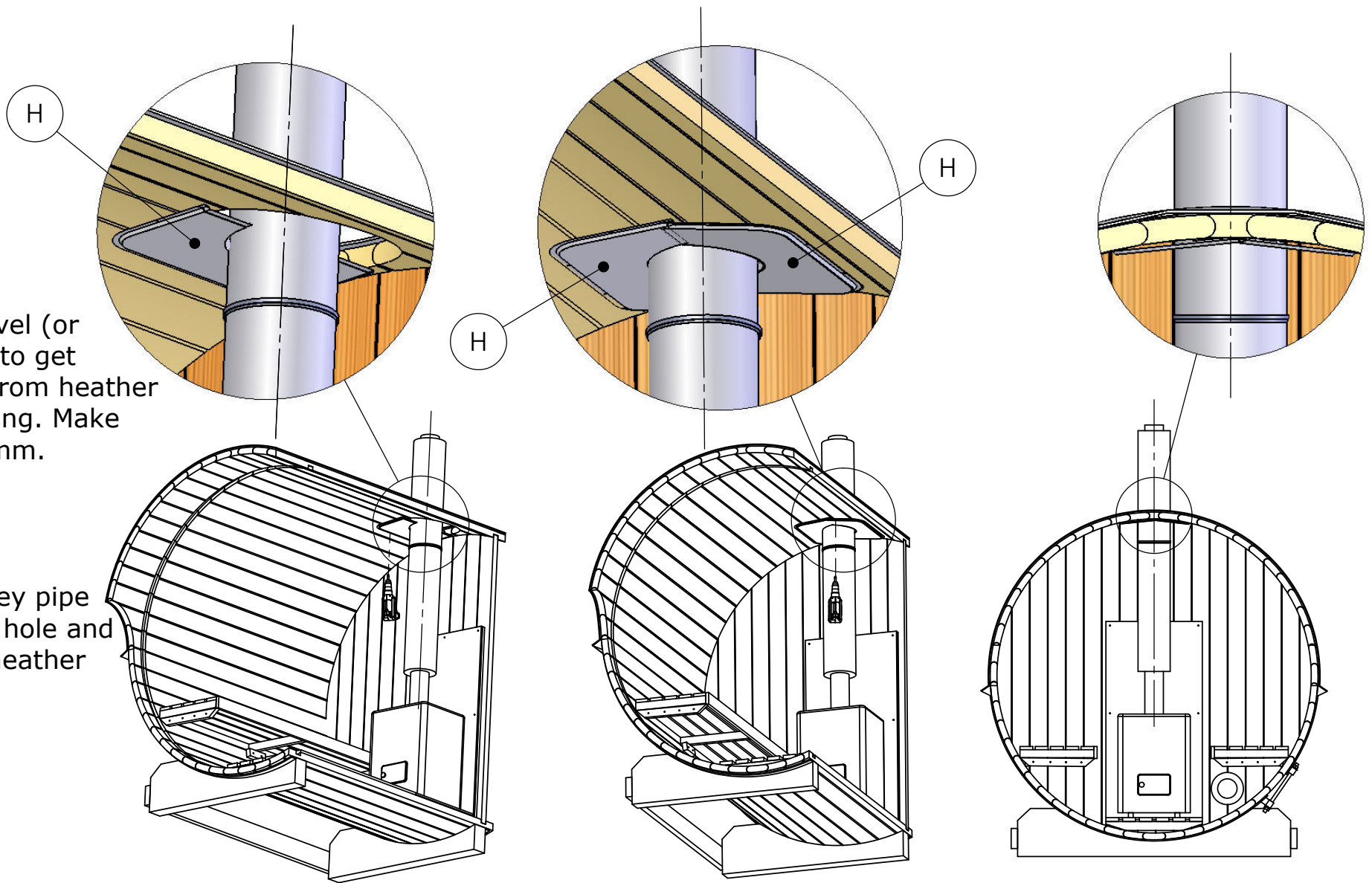


Instructions for Installation of Steel Chimney

**IMPORTANT!!! Uninsulated chimney pipe MUST be lower, than top of Cembrit Multi Force panel (Minerit LW).
Cut chimney pipe, if needed.**

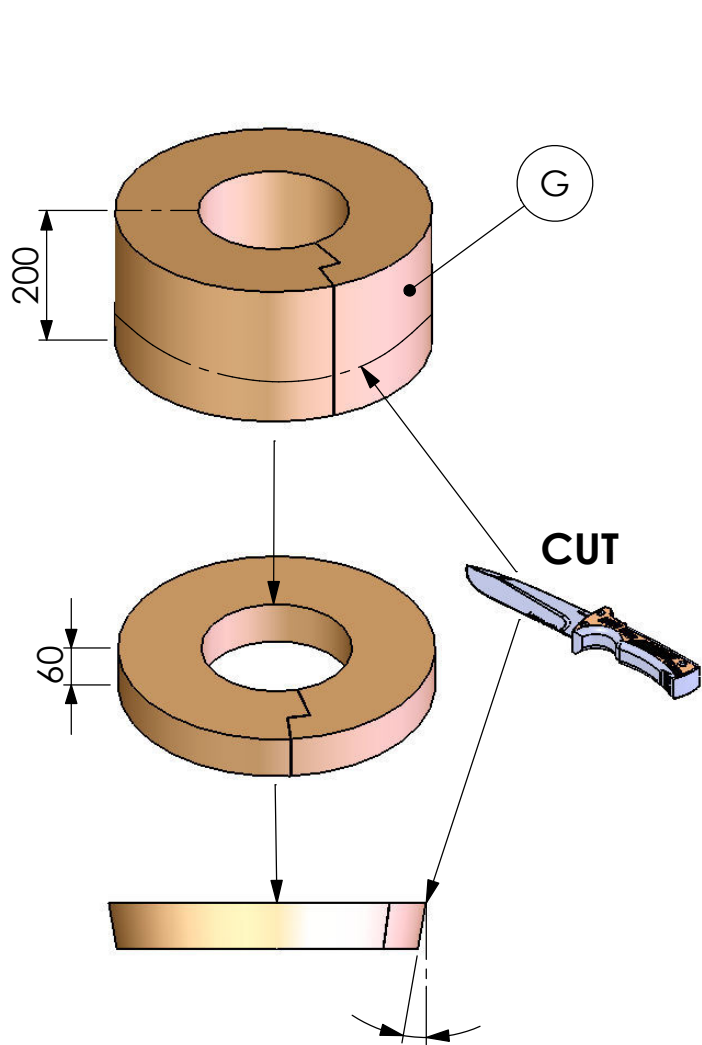




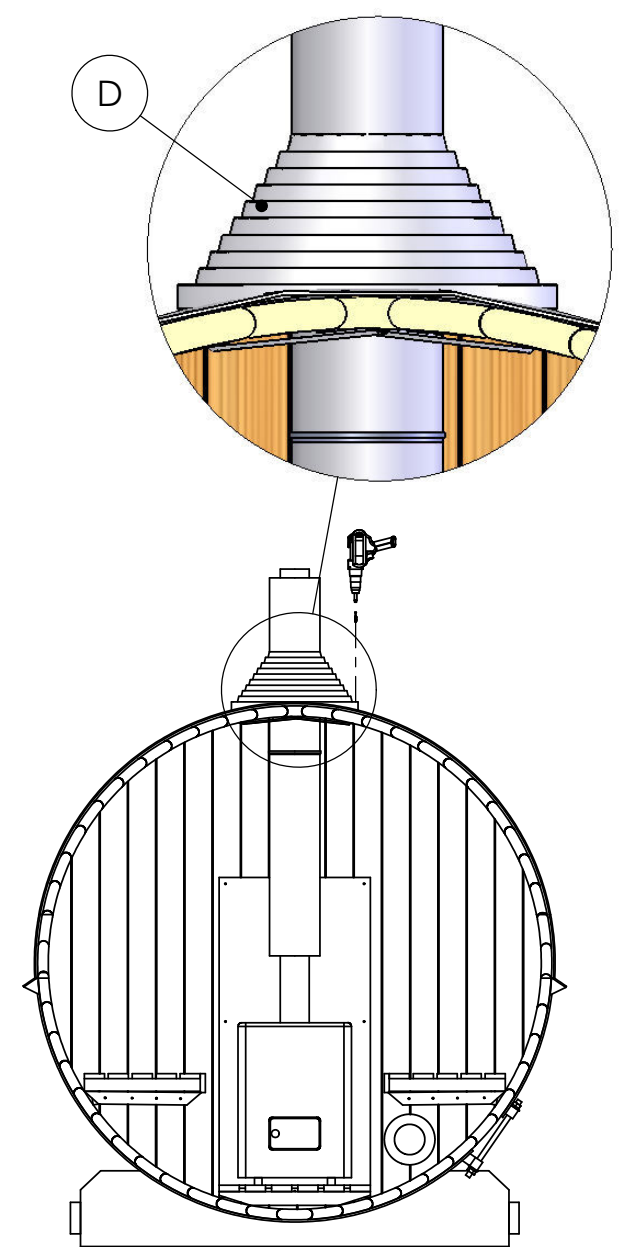
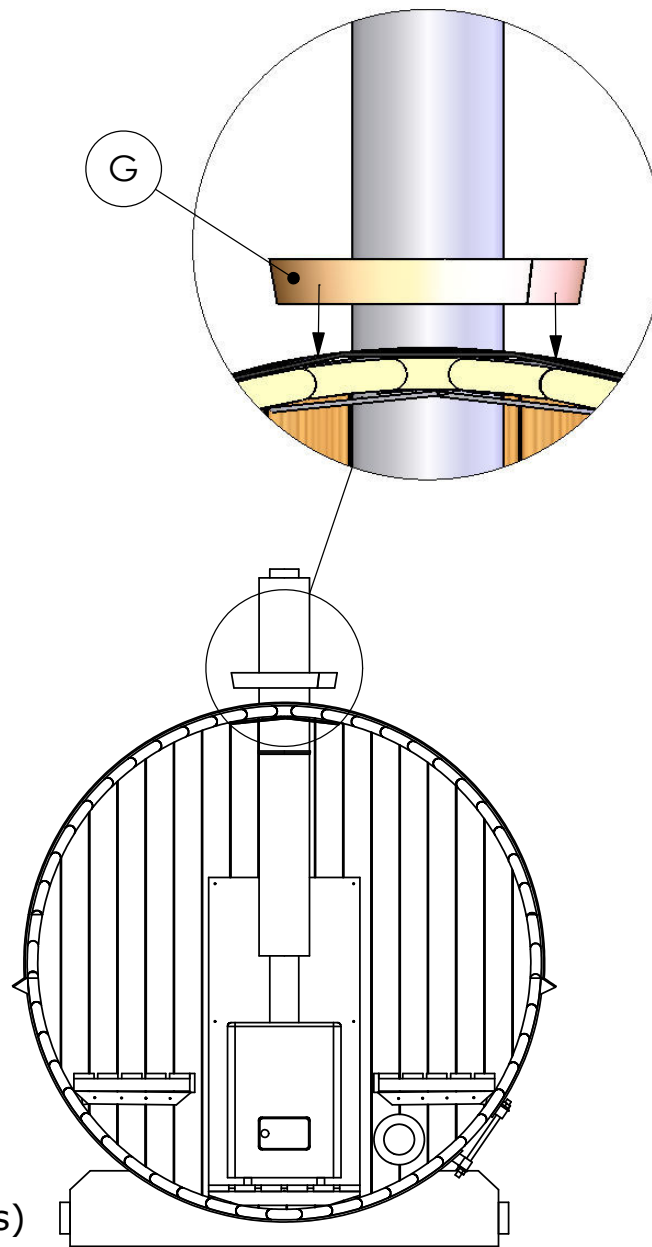
1. Use water level (or weight level) to get centerpoint from heather outlet to ceiling. Make hole $D=400\text{mm}$.

2. Place chimney pipe through top hole and connect to heather outlet.

3. Check chimney verticality and install the two halves of the flange around the chimney. Fix the lead-through flange in place with screws. Be careful and tighten the screws only so much as not to bend the metal sheet.



- 4.** Cut lead-through insulation (2 halves) ca.60mm thickness and on angle ca 10-15 deg. Pack the wool so that it supports the chimney.



- 5.** Mount the flange from the upper end of the chimney on the surface of the roof. Spread silicone underneath the flange and press the flange into place on the roof covering. Fix the flange to the damper with screws.

- 6.** Lock the rain cap in place by gently turning it clockwise. Be careful not to turn and lock the rain cap too tight! The cap needs to be removed for chimney sweeping.

